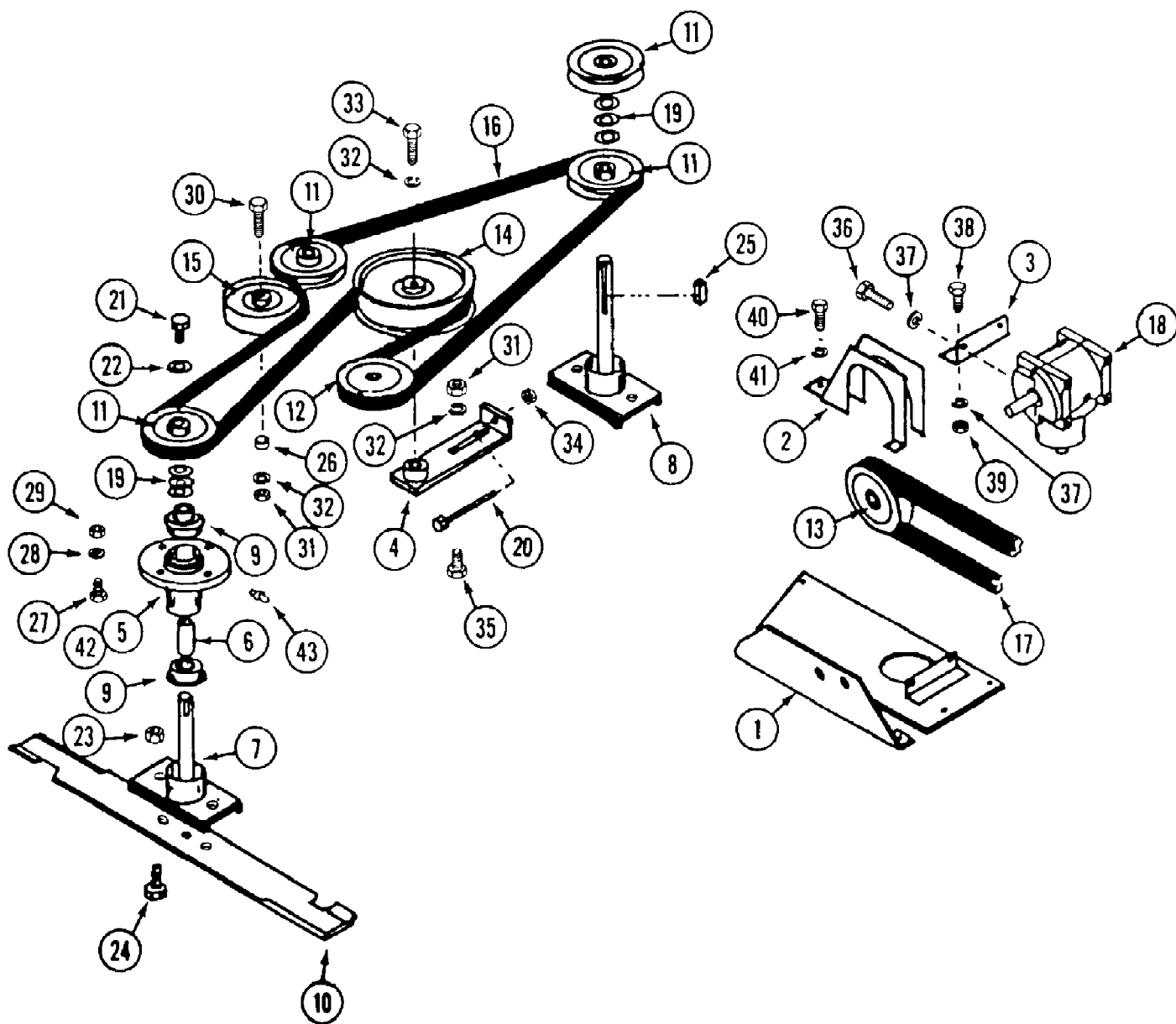


135-013-190 FR-180 (1995)
52" Mower Deck & Attaching Parts

Page 2 of 63

Ref #	Part Number	Qty	S/P/F	Description
1	WD-C44086	1		DECK - 52"
2	WD-320-0015	1		CHUTE - foot guard
3	WD-320-0016	1		MOUNT - foot guard
4	WD-320-0011	1		COVER - pulley
5	WD-320-0022	1		COVER - center
6	WD-320-0001	1		COVER - L.H.
7	WD-320-0014	1		SHOE - skid
8	WD-900-5559	1		ROLLER - anti-scalp
9	WD-300-0038	1		SHAFT - roller
10	WD-300-0044	2	S	BRACKET - gauge wheel mount
11	WD-300-0043	2		MOUNT - gauge wheel
12	WD-330-0007	2		FORK
13	WD-200-0017	2	S	AXLE - wheel
14	WD-900-4004	2		WHEEL - gauge
	WD-900-4006	1		TIRE - 11 x 4.00 - 5
	WD-900-4005	1		RIM - 5"
	WD-900-3505	2	S	BEARING - wheel
15	WD-900-6133	2	S	BOLT - 1/2" - 13 x 6-1/2"
16	WD-900-6096	4		BOLT - wing
17	WD-900-6092	4		NUT - gauge wheel handle
18	WD-900-2044	1	S	BREAKER - circuit, 10 amp.
19	WD-900-5510	2		COLLAR - set
20	WD-900-3501	4	S	BEARING - 1"
21	WD-900-5615	1		PIN - "fas-tatch"
22	WD-900-5519	1		PIN - deck
23	WD-C29029	2		PIN - cotter, hair
26	WD-113-3	9		BOLT - 1/4" - 20 x 3/4"
27	WD-192-19	2		LOCKWASHER - 1/4"
28	WD-129-101	2		NUT - 1/4" - 20
29	WD-131-71	2		NUT - 1/4" - 20 lock
30	WD-113-1	2		BOLT - 1/4" - 20 x 1"
31	WD-195-102	1		WASHER - 1/4"
32	WD-C37993	2		FITTING - grease
33	WD-C37756	2		SCREW - set 5/16" - 18 x 1/2" square head
34	WD-900-6151	6		LOCKWASHER - 5/16"
35	WD-129-102	6		NUT - 5/16" - 18
36	WD-192-23	2		LOCKWASHER - 1/2"
37	WD-129-105	2	S	NUT - 1/2" - 13
38	WD-113-102	2		BOLT - 5/16" - 18 x 3/4"
39	WD-111-202	2		BOLT - 5/16" - 18 x 3/4" carriage
40	WD-182-528	2		SCREW - #10 - 32 x 1/2"
41	WD-900-6150	2		NUT - #10 - 32
42	WD-111-203	6		BOLT - 5/16" - 18 x 1" carriage



135-013-190 FR-180 (1995)
52" Mower Drive

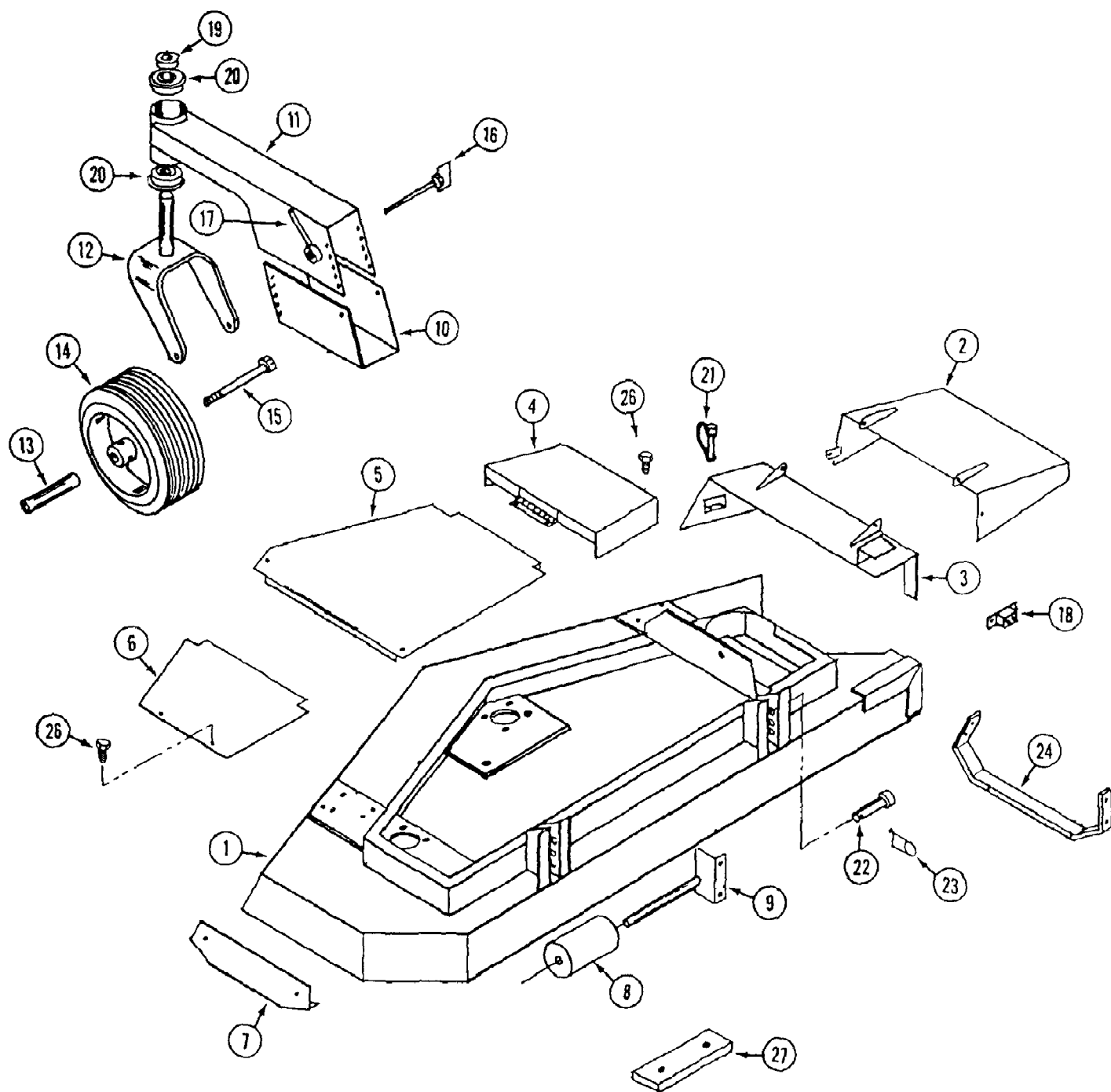
Page 4 of 63

Ref #	Part Number	Qty	S/P/F	Description
1	WD-321-0001	1		MOUNT - gear box
2	WD-311-0002	1		GUARD - belt
3	WD-310-0006	1		ANGLE - gear box mount
4	WD-330-0012	1		TIGHTENER - belt
5	WD-300-0025	3	S	HOUSING - spindle
6	WD-300-0027	3	S/F	SPACER - spindle
	WD-C45884	6	F	SPACER - spindle
7	WD-C44128	3		SHAFT - spindle
8	WD-C44130	1		SHAFT - spindle, long
9	~NSS	3	F	BEARING - spindle (Use C45886 (2) and C45884)
	WD-C45886	6	F	BEARING - spindle 7/8"
10	WD-C44136	3		BLADE - mower
11	WD-900-2511	4	S	PULLEY - spindle
12	WD-900-2510	1		PULLEY - gear box output
13	WD-900-2525	1	S	PULLEY - gear box input
14	WD-900-2521	1	S	PULLEY - idler, large
15	WD-900-2522	1	S	PULLEY - idler, small
16	WD-900-3005B	1	S	BELT - deck
17	WD-C44241	1	S	BELT - drive
18	WD-900-5842	1	S	GEAR BOX - angle drive (See "Gear Box Curtis model" illustration and parts list for repairs.)
	WD-C42775	1	S	GEAR BOX - angle drive (See "Gear Box Superior model" illustration and parts list for repairs.)
19	WD-900-6002	12	S	SPACER - washer
20	WD-900-6034	1		BOLT - 1/4" - 20 x 4"
21	WD-114-201	3	/P	BOLT - 3/8" - 24 x 1-1/4"
22	WD-C45846	3		WASHER - spindle
23	WD-131-1216	6		NUT - 3/8" - 16 lock
24	WD-113-268	6		BOLT - 3/8" - 16 x 1"
25	WD-300-0021	6	S	KEY - 3/16" x 1"
26	WD-300-0016	1	S	SPACER - idler pulley
27	WD-113-312	12		BOLT - 7/16" - 14 x 1-1/4"
28	WD-192-22	12		LOCKWASHER - 7/16"
29	WD-129-104	12		NUT - 7/16" - 14
30	WD-113-257	1		BOLT - 3/8" - 16 x 2-1/2"
31	WD-129-103	1	S	NUT - 3/8"
32	WD-192-21	1	S	LOCKWASHER - 3/8"
33	WD-113-208	1		BOLT - 3/8" - 16 x 1-1/4"
34	WD-131-71	1		NUT - 1/4" - 20 lock
35	WD-111-371	1		BOLT - 3/8" - 16 x 1" carriage
36	WD-113-103	4		BOLT - 5/16" - 18 x 1"
37	WD-192-20	5		LOCKWASHER - 5/16"
38	WD-113-102	1		BOLT - 5/16" - 18 x 3/4"
39	WD-129-102	1		NUT - 5/16" - 18
40	WD-113-1	2		BOLT - 1/4" - 20 x 1/2"
41	WD-192-19	2		LOCKWASHER - 1/4"
42	WD-C45859	3	/P	HOUSING ASSEMBLY - spindle (Includes ref. 5, 6, 9)

135-013-190 FR-180 (1995)
52" Mower Drive

Ref #	Part Number	Qty	S/P/F	Description
43	WD-219-20	3		FITTING - grease 1/4" - 28

135-013-190 FR-180 (1995)
62" Mower Deck & Attaching Parts

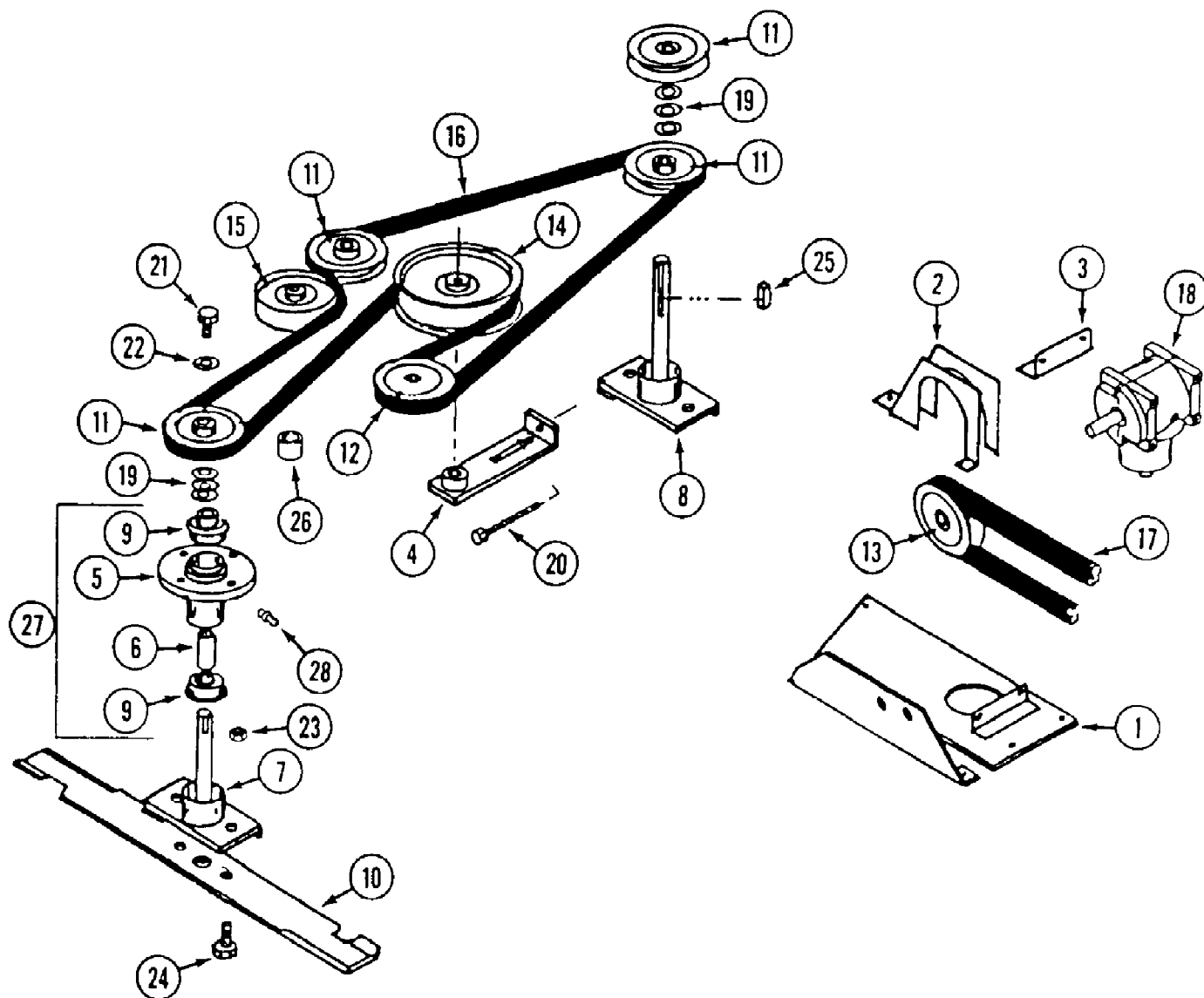


135-013-190 FR-180 (1995)
62" Mower Deck & Attaching Parts

Page 7 of 63

Ref #	Part Number	Qty	S/P/F	Description
1	WD-C44088	1	S	DECK - 62"
2	WD-330-0027	1		CHUTE - foot guard
3	WD-330-0028	1		MOUNT - foot guard
4	WD-330-0025	1		COVER - pulley
5	WD-330-0002	1		COVER - center
6	WD-330-0001	1		COVER - L.H.
7	WD-330-0008	1	S	SHOE - skid L.H.
8	WD-900-5559	1		ROLLER - anti-skid
9	WD-300-0038	1		SHAFT - roller
10	WD-300-0044	2	S	BRACKET - gauge wheel mount
11	WD-300-0043	2		MOUNT - gauge wheel
12	WD-330-0007	2		FORK - gauge wheel
13	WD-200-0017	2	S	AXLE - gauge wheel
14	WD-900-4004	2		WHEEL - gauge
	WD-900-4006	1		TIRE - 11 x 4.00 - 5
	WD-900-4005	1		RIM - 5"
	WD-900-3505	2	S	BEARING - wheel
15	WD-900-6133	2	S	BOLT - 1/2" - 13 x 6-1/2"
16	WD-900-6096	4		BOLT - wing
17	WD-900-6092	4		NUT - gauge wheel handle
18	WD-900-2044	1	S	BREAKER - circuit - 10 amp.
19	WD-900-5510	2		COLLAR - set 1"
20	WD-900-3501	4	S	BEARING - 1"
21	WD-900-5615	1		PIN - "fas-tatch"
22	WD-900-5519	2		PIN - deck
23	WD-C29029	2		PIN - cotter, hair
24	WD-330-0011	1	S	SHOE - skid R.H.
26	WD-113-3	9		BOLT - 1/4" - 20 x 3/4"
27	WD-230-0010	3		WEIGHT - tail, 13 lb.

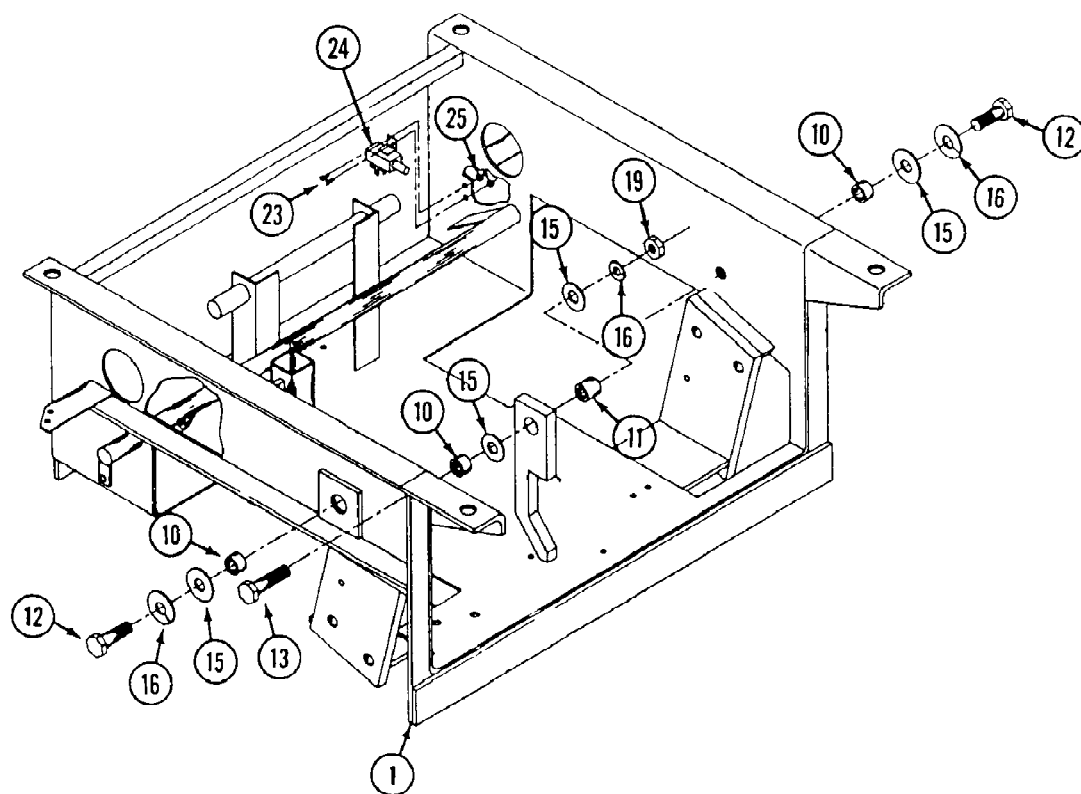
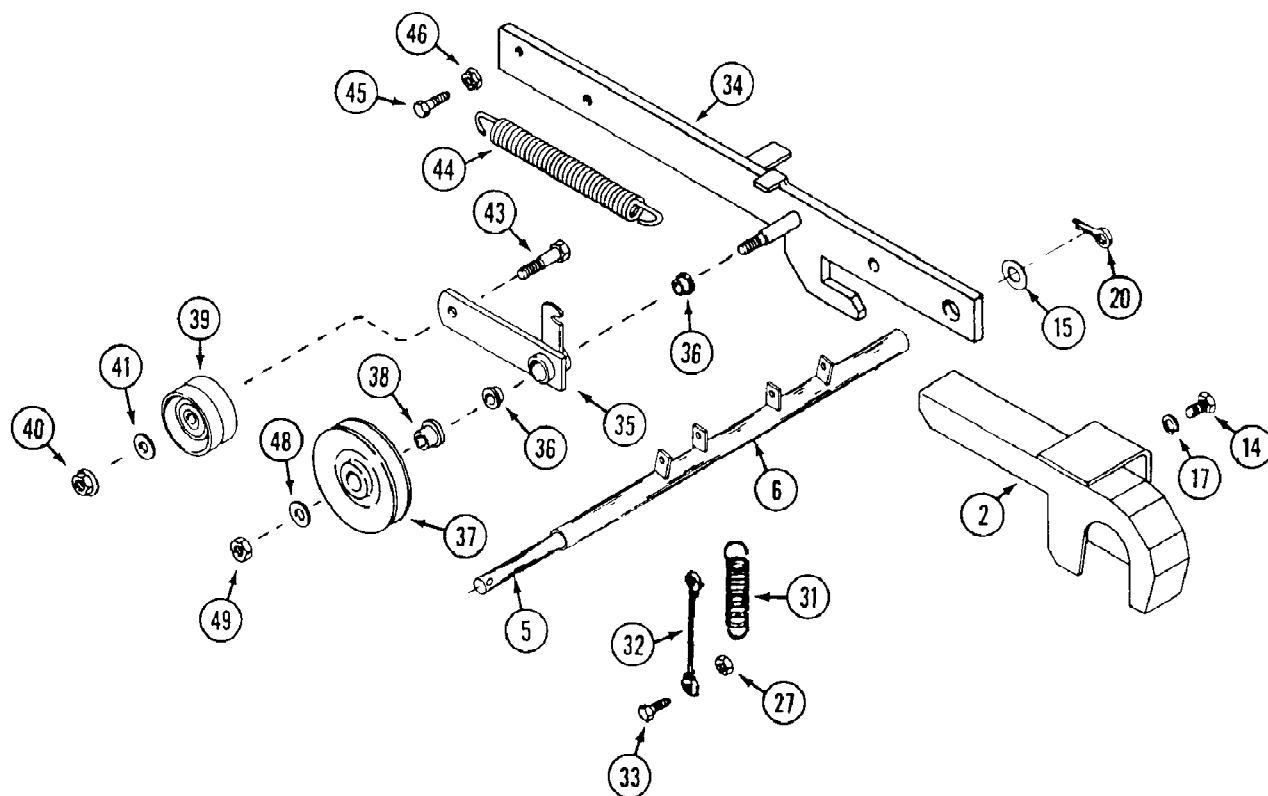
135-013-190 FR-180 (1995)
62" Mower Drive



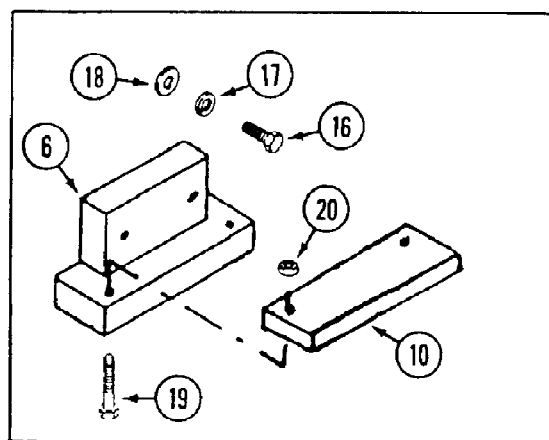
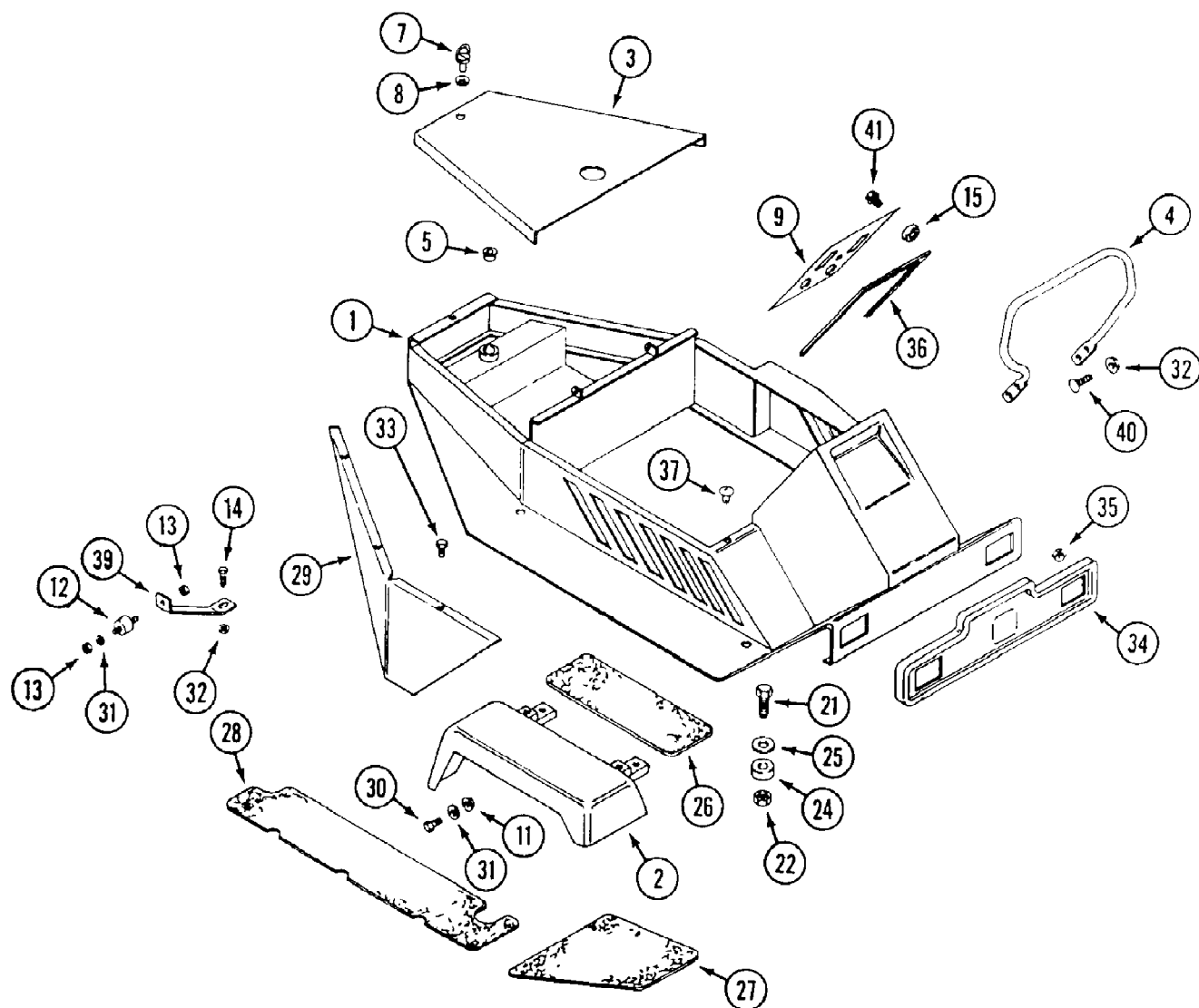
135-013-190 FR-180 (1995)
62" Mower Drive

Page 9 of 63

Ref #	Part Number	Qty	S/P/F	Description
1	WD-331-0004	1		MOUNT - gear box
2	WD-311-0002	1		GUARD - belt (Early production)
3	WD-310-0006	1		ANGLE - gear box mount
4	WD-330-0012	1		TIGHTENER - belt
5	WD-300-0031	3	S	HOUSING - spindle
6	WD-300-0034	3	S/F	SPACER - spindle
	WD-C45885	3	F	SPACER - spindle
7	WD-C44132	2		SHAFT - spindle, short
8	WD-C44134	1		SHAFT - spindle, long
9	~NSS	6	F	BEARING - spindle (Use C45886 (2) and C45885)
	WD-C45886	6	F	BEARING - spindle 7/8"
10	WD-C44138	3		BLADE
11	WD-900-2512	4		PULLEY - spindle
12	WD-900-2510	1		PULLEY - gear box output
13	WD-900-2525	1	S	PULLEY - gear box input
14	WD-900-2521	1	S	PULLEY - idler, large
15	WD-900-2522	1	S	PULLEY - idler, small
16	WD-900-3008B	1	S	BELT - deck
17	WD-C44241	1	S	BELT - drive
18	WD-900-5842	1	S	GEAR BOX - angle drive See "Gear Box Curtis model" illustration and parts list for service.)
	WD-C42775	1	S	GEAR BOX - angle drive See "Gear Box Superior model" illustration and parts list for service.)
19	WD-900-6002	12	S	WASHER - spacer
20	WD-900-6034	1		BOLT - 1/4" - 20 x 4"
21	WD-114-201	3	/P	BOLT - 3/8" - 24 x 1-1/4"
22	WD-C45846	3		WASHER - spindle
23	WD-131-1216	3		NUT - 3/8" - 16 lock
24	WD-113-268	3		BOLT - 3/8" - 16 x 1"
25	WD-300-0021	6	S	KEY - 3/16" x 3/16" x 1"
26	WD-300-0016	1	S	SPACER - idler pulley
27	WD-C45860	3	/P	HOUSING ASSEMBLY - spindle (Includes ref. 5, 6, 9)
28	WD-219-20	3		FITTING - grease 1/4" - 28



Ref #	Part Number	Qty	S/P/F	Description
1	WD-C42892	1		BASE
2	WD-C44403	1		GUARD - belt
?3	WD-113-1182	1		NUT - 1/2" - 13
?4	WD-195-533	1		WASHER
5	WD-300-0022	1		PIN - cross bar
6	WD-300-0014	1		BAR - cross
?7	WD-300-0041	1		TUBE - wire
?8	WD-111-0023	2		LOCK - forward nose down
10	WD-300-0013S	3	S	BUSHING - deck lift arm (3/8" long)
11	WD-300-0013	1	S	BUSHING - pivot (1/2" long)
12	WD-113-417	2		BOLT - 1/2" - 13 x 1-1/4"
13	WD-113-441	1		BOLT - 1/2" - 13 x 2-1/4"
14	WD-113-102	2		BOLT - 5/16" - 18 x 3/4"
15	WD-195-106	6		WASHER - 1/2"
16	WD-192-23	3		LOCKWASHER - 1/2"
17	WD-192-20	2		LOCKWASHER - 5/16"
19	WD-129-105	1	S	NUT - 1/2" - 13
20	WD-132-310	2		PIN - cotter 1/8" x 1"
23	WD-C37597	2		SCREW - machine #10 - 32 x 5/8"
24	WD-900-2029	1	S	SWITCH - safety
25	WD-900-6150	2		NUT - lock #10 - 32
27	WD-131-71	4		NUT - lock 1/4" - 20
?28	WD-129-103	1	S	NUT - 3/8" - 16
?29	WD-192-21	1	S	LOCKWASHER - 3/8"
?30	WD-113-257	1		BOLT - 3/8" - 16 x 2-1/2"
31	WD-900-5516	2		SPRING - lift assist
32	WD-900-5518	2	S	CABLE - lift
33	WD-113-4	4		BOLT - 1/4" - 20 x 1"
34	WD-C45009	1		ARM - deck L.H. (Shown)
	WD-C44250	1		ARM - deck R.H.
35	WD-C45095	1		ARM - idler
36	WD-C27501	2		BEARING - flange
37	WD-C25370	1		PULLEY - "V" idler
38	WD-C45102	1		BUSHING - pulley
39	WD-C45121	1	S	PULLEY - flat
40	WD-131-938	2		NUT - 3/8" - 16 lock, flange
41	WD-195-104	UAR		WASHER - 3/8"
43	WD-113-219	2		BOLT - 3/8" - 16 x 2"
44	WD-C44242	1		SPRING - extension
45	WD-113-103	1		BOLT - 5/16" - 18 x 1"
46	WD-131-911	1	S	NUT - 5/16" - 18 flange lock
48		1		UNKNOWN
49		1		UNKNOWN

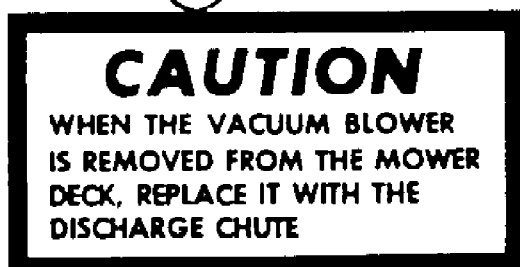


Ref #	Part Number	Qty	S/P/F	Description
1	WD-C44954	1		BODY
2	WD-C39534	1		FENDER - R.H.
	WD-C40645	1		FENDER - L.H.
3	WD-C41163	1		COVER - back
4	WD-C44844	1		BAR - handle (Optional)
5	WD-900-3501	2	S	BEARING - rear wheel fork
6	WD-230-0002	1		WEIGHT - tail
7	WD-C41944	1		STUD - fastener
8	WD-C41945	1		GROMMET - fastener
9	WD-C42053	1		PANEL - dash
10	WD-230-0010	2		WEIGHT - tail 13 lb.
11	WD-131-934	2		NUT - flange lock
12	WD-C43012	2		MOUNT - rubber
13	WD-131-71	4		NUT - 1/4" - 20 lock
14	WD-131-102	2		BOLT - 5/16" - 18 x 3/4"
15	WD-C34117	2		NUT - #10 - 24 flange lock
16	WD-113-103	2		BOLT - 5/16" - 18 x 1"
17	WD-192-20	2		LOCKWASHER - 5/16"
18	WD-195-103	2		WASHER - 5/16"
19	WD-113-259	2		BOLT - 3/8" - 16 x 4-1/2"
20	WD-131-1352	2		NUT - 3/8" - 16 flange lock
21	WD-113-425	4	S	BOLT - 1/2" - 13 x 3"
22	WD-131-70	4	S	NUT - 1/2" lock
24	WD-900-5509	8		MOUNT - body, rubber
25	WD-200-0015	4		WASHER - mount, body
26	WD-C39524	2		PAD - fender
27	WD-C39525	1		PAD - footrest, front L.H.
27	WD-C39526	1		PAD - footrest, front R.H. (Shown)
28	WD-C44957	1		PAD - footrest, rear L.H.
	WD-C44958	1		PAD - footrest, rear R.H. (Shown)
29	WD-C44975	1		SKIRT - L.H.
	WD-C44977	1		SKIRT - R.H.
30	WD-113-3	2		BOLT - 1/4" - 20 x 3/4"
31	WD-195-102	4		WASHER - 1/4"
32	WD-131-911	10	S	NUT - 5/16" - 18 flange lock
33	WD-C42056	10		BOLT - 5/16" - 18 x 5/8" black
	WD-C42057	4		BOLT - 5/16" - 18 x 1-3/4" black
34	WD-C44973	1		PLATE face
35	WD-131-971	2		NUT - #8 - 32 flange lock
36	WD-900-5742	1		TRIM - 27" (Cut to length)
37	WD-900-5522	4		BUMPER - nylon
39	WD-C45084	2		BRACKET - fender support
40	WD-C44959	4		BOLT - 5/16" - 18 x 1" carriage
41	WD-C39403	4		SCREW - #12 x 1/2"
	WD-182-573	4		SCREW - #10 - 24 x 1/2"

1



2



3



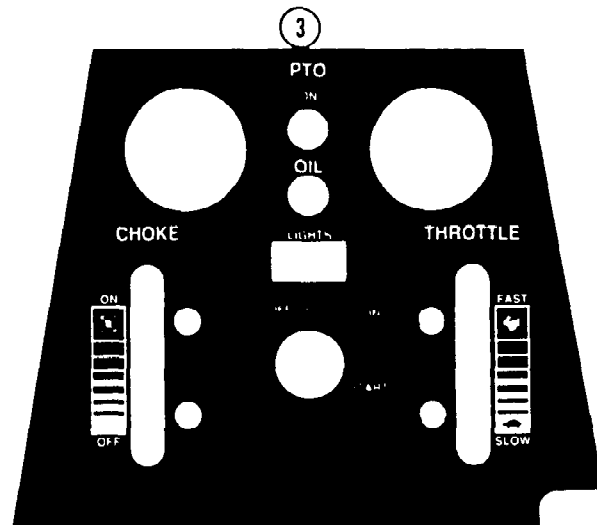
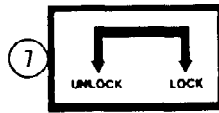
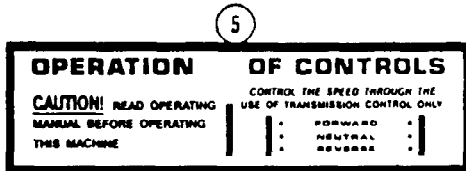
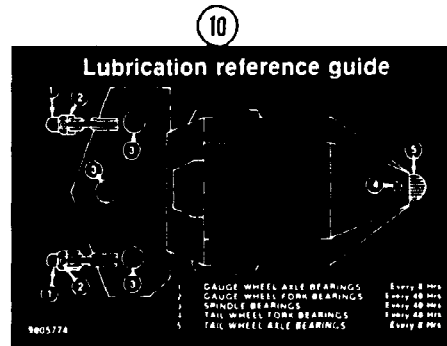
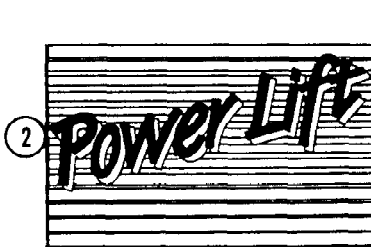
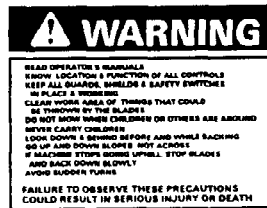
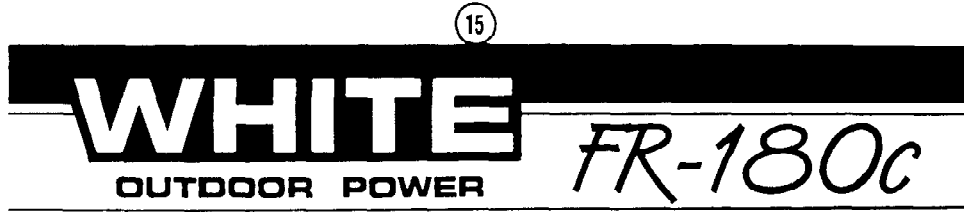
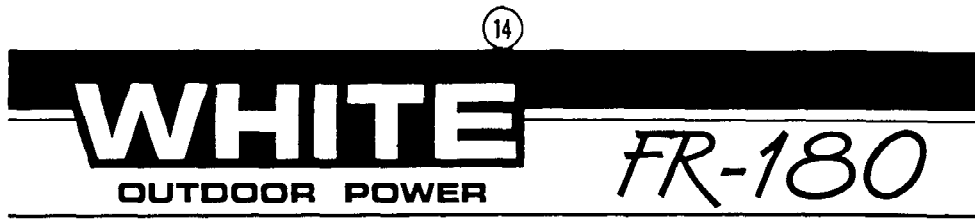
4



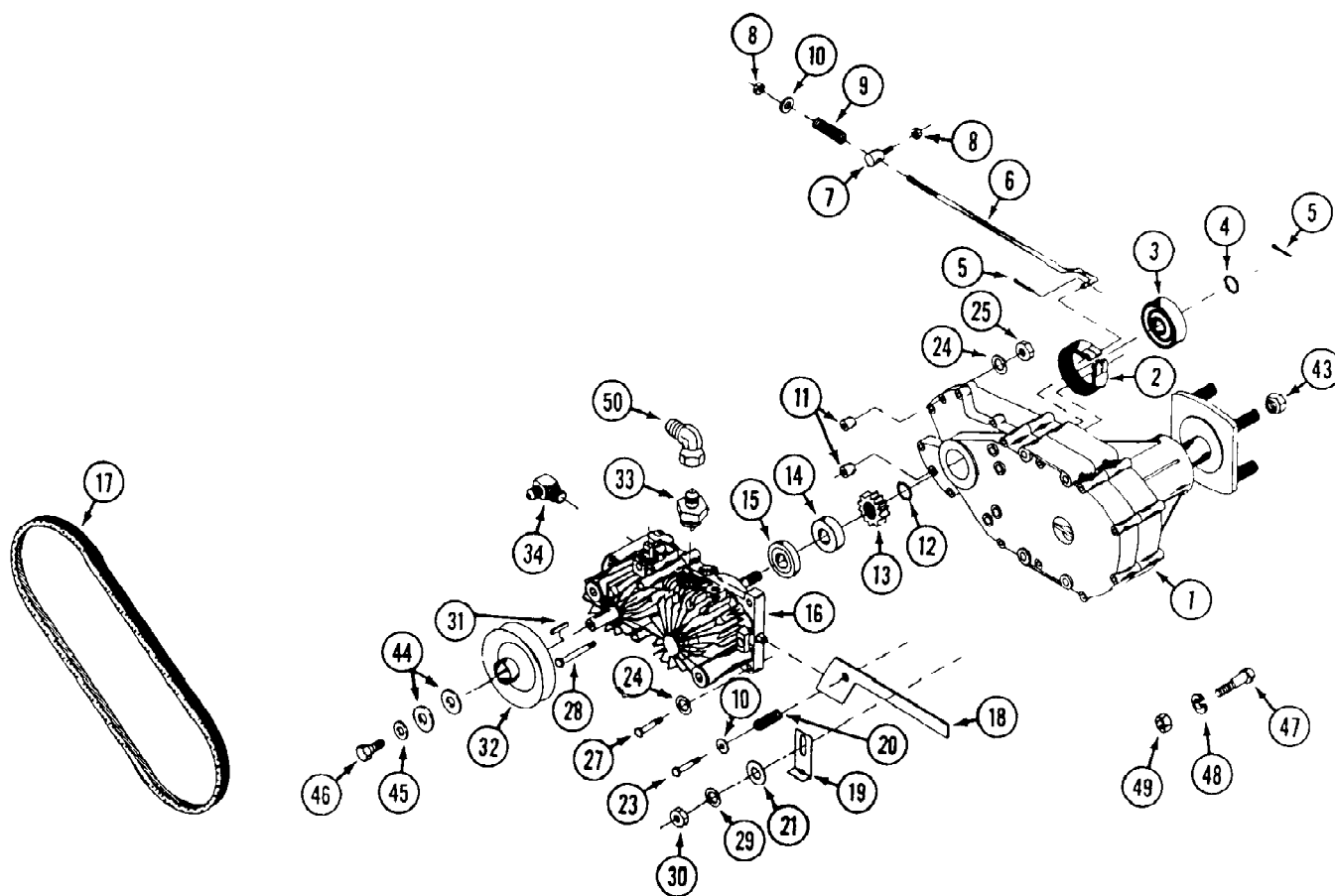
135-013-190 FR-180 (1995)
Decals (Deck)

Page 15 of 63

Ref #	Part Number	Qty	S/P/F	Description
1	WD-900-5542	1		DECAL - "Whirling Blades"
2	WD-900-5539	1		DECAL - "Caution" discharge chute
3	WD-900-5540	1		DECAL - "Caution" grass chute
4	WD-900-5549	1		DECAL - "Danger"



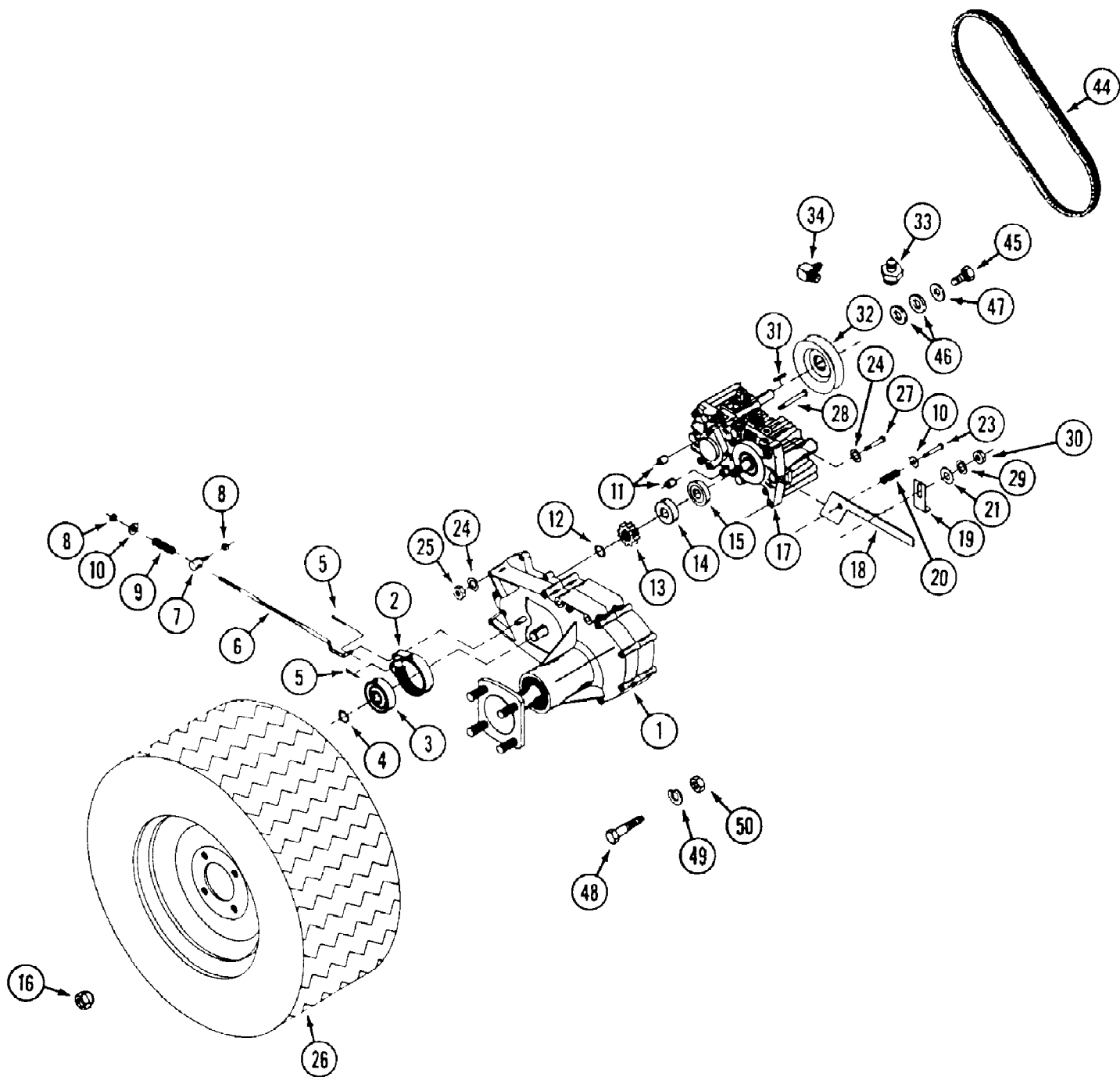
Ref #	Part Number	Qty	S/P/F	Description
1	WD-C44340	1		DECAL - WARNING
2	WD-C44315	1		DECAL - power lift
3	WD-C44974	1		DECAL - instrument panel
4	WD-777-6550	1		MEDALLION - White "horse"
5	WD-900-5541	1		DECAL - operation
6	WD-900-5543	1		DECAL - caution interlock
7	WD-900-5544	1		DECAL - unlock/lock
8	WD-900-5548	1		DECAL - run/park
9	WD-900-5723	1		DECAL - danger carbon monoxide
10	WD-900-5774	1		DECAL - lubrication
11	WD-900-9000	1		DECAL - clean cooler
12	WD-C45052	1		DECAL - front "FR180C"
13	WD-C45053	1		DECAL - front "FR180"
14	WD-C45057	1		DECAL - side R.H. "FR180"
14	WD-C45058	1		DECAL - side L.H. "FR180"
15	WD-C45059	1		DECAL - side R.H. "FR180C"
15	WD-C45060	1		DECAL - side L.H. "FR180C"
16	WD-C44979	1		DECAL - brake lock



135-013-190 FR-180 (1995)
Drive Assembly L.H.

Page 19 of 63

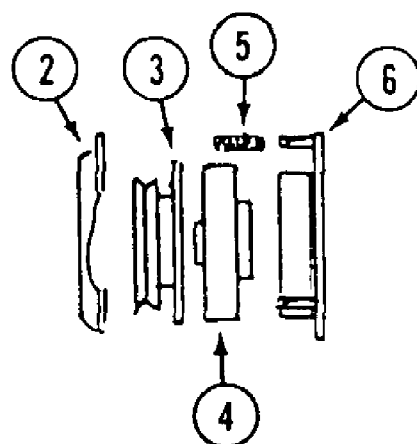
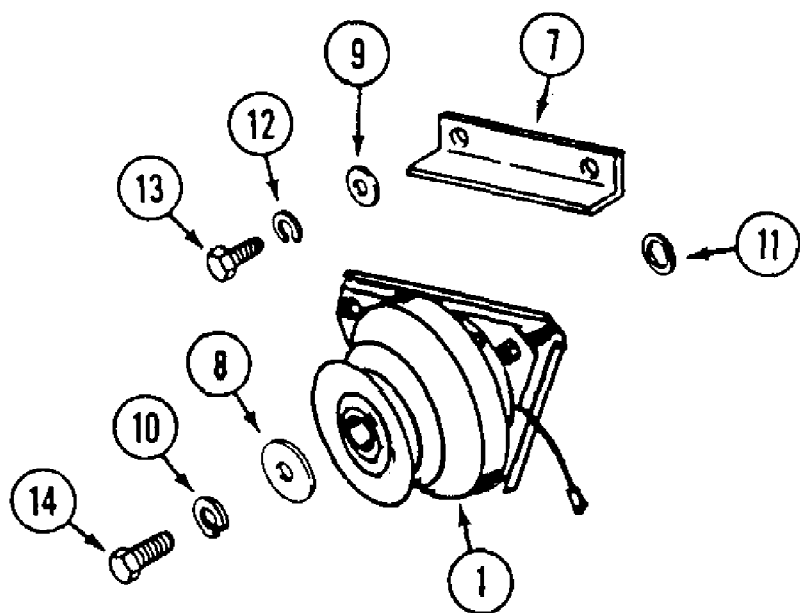
Ref #	Part Number	Qty	S/P/F	Description
1	WD-900-8134	1		TRANSMISSION - ZT
2	WD-900-7050	1		BAND - brake
3	WD-900-7051	1	S	DRUM - brake
4	WD-900-7052	1		RING - snap
5	WD-132-332	2		PIN - cotter 1/8" x 1"
6	WD-114-0004	1		ROD - brake
7	WD-111-0014	1		COLLAR - rod
8	WD-131-71	2		NUT - lock 1/4" - 20
9	WD-900-5722	1		SPRING
10	WD-195-102	3		WASHER - 1/4"
11	WD-900-7045	2		SPACER
12	WD-900-7046	1	S	RING - snap
13	WD-900-7047	1		GEAR
14	WD-900-7048	1	S	BEARING
15	WD-900-7049	1		SPACER
16	WD-C45398	1		PUMP - hydro. L.H.
17	WD-900-3027	1	S	BELT - pump drive
18	WD-C45165	1		LEVER - transmission dump L.H.
19	WD-114-0001	1		BRACKET - dump lever stop
20	WD-900-6501	1		SPRING - compression
21	WD-900-6052	1		WASHER - 3/8"
23	WD-900-6019	1		BOLT - dump lever
24	WD-192-20	4		LOCKWASHER - 5/16"
25	WD-129-102	2		NUT - 5/16" - 18
27	WD-113-120	2		BOLT - 5/16" - 18 x 1-3/4"
28	WD-113-134	2		BOLT - 5/16" - 18 x 7-1/2"
29	WD-C37591	1		LOCKWASHER - 3/8"
30	WD-C37592	1	S	NUT - 3/8" - 16
31	WD-900-6168	1		KEY - 5 x 5 x 25 mm
32	~NSS	1	F	PULLEY - 4" O.D. x 15 mm ID (Use C45473, C45474)
32	WD-C45473	1	F	PULLEY - 4" (Use C32199 set screw)
33	WD-218-5354	1		FITTING - male adapter
34	WD-218-5278	1		FITTING - male adaptor 90°
	WD-900-4048	1		WHEEL ASSEMBLY - (Not shown)
	WD-900-4042	1		TIRE - 18 x 9.50-8
	WD-900-4040	1		RIM - wheel
43	WD-900-6138	4		NUT - lug 1/2" - 20
44	WD-195-2063	UAR	F	WASHER - .625" x 1"
45	WD-195-520	1	F	WASHER - .312" x .875"
?46	WD-C45273	1		BOLT - M6 - 1.0 x 12 mm flange
47	WD-113-203	1		BOLT - 3/8" - 16 x 3-1/2" mounting
	WD-113-267	7		BOLT - 3/8" - 16 x 4" mounting
48	WD-192-21	8	S	LOCKWASHER - 3/8"
49	WD-129-103	8	S	NUT - 3/8" - 16
50	WD-218-5172	1		FITTING - 45° male to female



135-013-190 FR-180 (1995)
Drive Assembly R.H.

Page 21 of 63

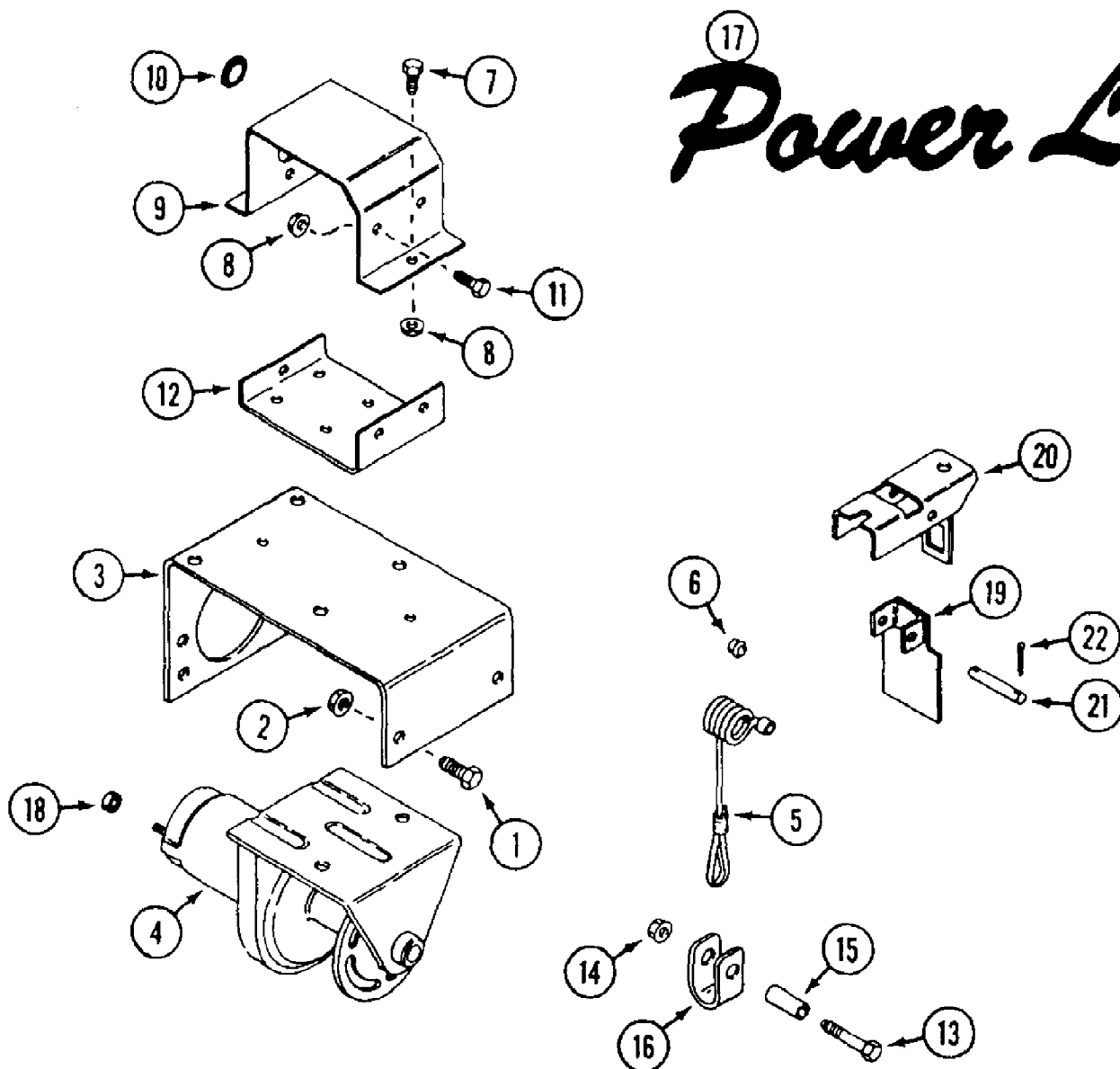
Ref #	Part Number	Qty	S/P/F	Description
1	WD-900-8134	1		TRANSMISSION - ZT
2	WD-900-7050	1		BAND - brake
3	WD-900-7051	1	S	DRUM - brake
4	WD-900-7052	1		RING - snap
5	WD-132-332	2		PIN - cotter 1/8" x 1"
6	WD-114-0004	1		ROD - brake
7	WD-111-0014	1		COLLAR - brake rod
8	WD-131-71	2		NUT - lock 1/4" - 20
9	WD-900-5722	1		SPRING
10	WD-195-102	3		WASHER - 1/4"
11	WD-900-7045	2		SPACER
12	WD-900-7046	1	S	RING - snap
13	WD-900-7047	1		GEAR
14	WD-900-7048	1	S	BEARING
15	WD-900-7049	1		SPACER
16	WD-900-6138	4		NUT - lug 1/2" - 20
17	WD-C45399	1		PUMP - hydro R.H.
18	WD-C45166	1		LEVER - transmission dump R.H.
19	WD-114-0001	1		BRACKET - dump lever stop
20	WD-900-6501	1		SPRING - compression
21	WD-195-103	1		WASHER - 3/8"
23	WD-900-6019	1		BOLT - dump valve
24	WD-192-20	4		LOCKWASHER - 5/16"
25	WD-129-102	2		NUT - 5/16" - 18
26	WD-900-4048	1		WHEEL ASSEMBLY
	WD-900-4042	1		TIRE - 18 x 9.50 - 8
	WD-900-4040	1		RIM - wheel
27	WD-113-120	2		BOLT - 5/16" - 18 x 1-3/4"
28	WD-113-134	2		BOLT - 5/16" - 18 x 7-1/2"
29	WD-C37591	1		LOCKWASHER - 3/8"
30	WD-C37592	1	S	NUT - 3/8" - 16
31	WD-900-6168	1		KEY-5 x 5 x 25 mm
32	~NSS	1		PULLEY - 4" O.D. x 15 mm ID (Use C45473, C45474)
	WD-C45473	2		PULLEY - 4" (Use C32199 set screw)
33	WD-218-5354	1		ADAPTER
34	WD-218-5278	1		ADAPTER - 90°
44	WD-900-3027	1	S	BELT - pump drive
45	WD-C45273	1		BOLT - M6 - 1.0 x 12mm flange
46	WD-195-2063	UAR	F	WASHER - .625" x 1"
47	WD-195-520	1	F	WASHER - .312" x .875"
48	WD-113-203	1		BOLT - 3/8" - 16 x 3-1/2" mounting
	WD-113-267	7		BOLT - 3/8" - 16 x 4" mounting
49	WD-192-21	8	S	LOCKWASHER - 3/8"
50	WD-129-103	8	S	NUT - 3/8" - 16



135-013-190 FR-180 (1995)
Electric Clutch (PTO)

Page 23 of 63

Ref #	Part Number	Qty	S/P/F	Description
1	WD-900-5581	1	S	CLUTCH ASSEMBLY
2	WD-900-5582	1		BRAKE - clutch
3	WD-900-5583	1		ARMATURE - clutch
4	WD-900-5584	1	S	ROTOR - clutch
5	WD-900-5586	1		KIT - spring and nut (3 each)
6	WD-900-5585	1	S	COIL - clutch
7	WD-112-0011	1		BRACKET - clutch stop
8	WD-C31615	1		WASHER - retaining
9	WD-195-104	2		WASHER - .438" x 1"
10	WD-192-21	1	S	LOCKWASHER - 3/8"
11	WD-C31614	1		WASHER - 1-1/8"
12	WD-192-22	2		LOCKWASHER - 7/16"
13	WD-113-335	2		BOLT - 7/16" - 14 x 3/4"
14	WD-114-203	1	S	BOLT - 3/8" - 24 x 1-1/2"
?15	WD-113-0010	2	S	BRACKET - clutch stop (Early production)

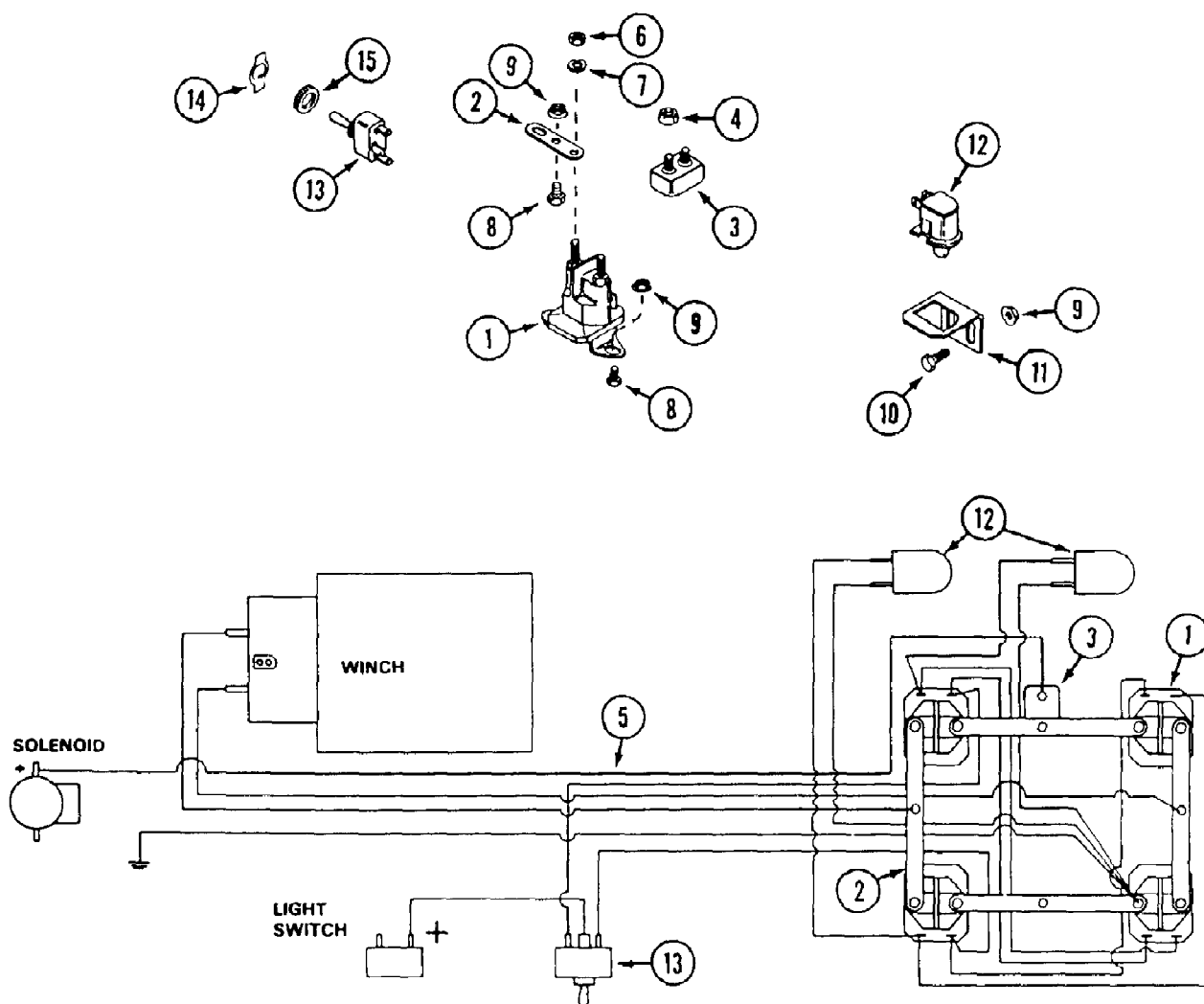


135-013-190 FR-180 (1995)
Electric Deck Lift (Winch Style)

Page 25 of 63

Ref #	Part Number	Qty	S/P/F	Description
1	WD-113-207	6	S	BOLT - 3/8" - 16 x 1"
	WD-C44489	2		SCREW - 3/8" - 16 x 1" socket head
2	WD-131-938	8		NUT - 3/8" - 16 flange lock
3	WD-C43967	1		MOUNT - winch
4	WD-C43958	1		WINCH - deck lift
5	WD-C43375	1		CABLE
6	WD-C43992	1		PIN - cable keeper
7	WD-113-3	2		BOLT - 1/4" - 20 x 3/4"
8	WD-131-934	5		NUT - 1/4" - 20 flange lock
9	WD-C43962	1		COVER - solenoid
10	WD-C43964	1		GROMMET - 1" x 7/8"
11	WD-113-1	3		BOLT - 1/4" - 20 x 1/2"
12	WD-C43963	1		MOUNT - solenoid
13	WD-113-219	1		BOLT - 3/8" - 16 x 2"
14	WD-131-1352	1		NUT - 3/8" - 16 lock
15	WD-C43961	1		SPACER
16	WD-C43960	1		STRAP - lift
17	WD-C43412	1		DECAL "Power Lift"
18	WD-900-6150	2		NUT - #10 - 32
19	WD-C44361	1		ARM - trip
20	WD-C44364	1		MOUNT - trip arm
21	WD-C44367	1		PIN - pivot
22	WD-132-6	2		PIN - cotter 1/16" x 5/8"

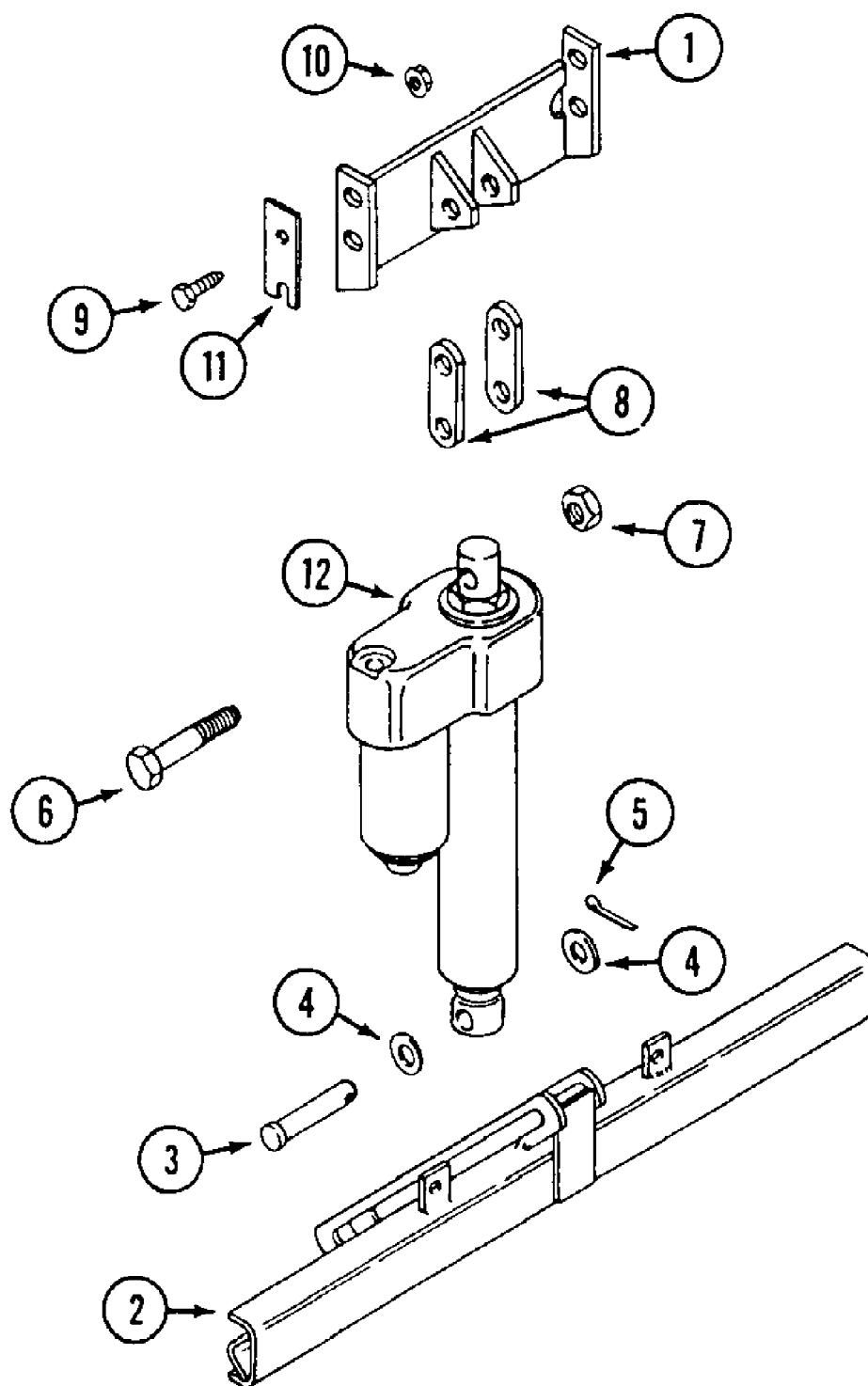
135-013-190 FR-180 (1995)
Electrical Assembly (Deck Lift) (Winch Style)



135-013-190 FR-180 (1995)
Electrical Assembly (Deck Lift) (Winch Style)

Page 27 of 63

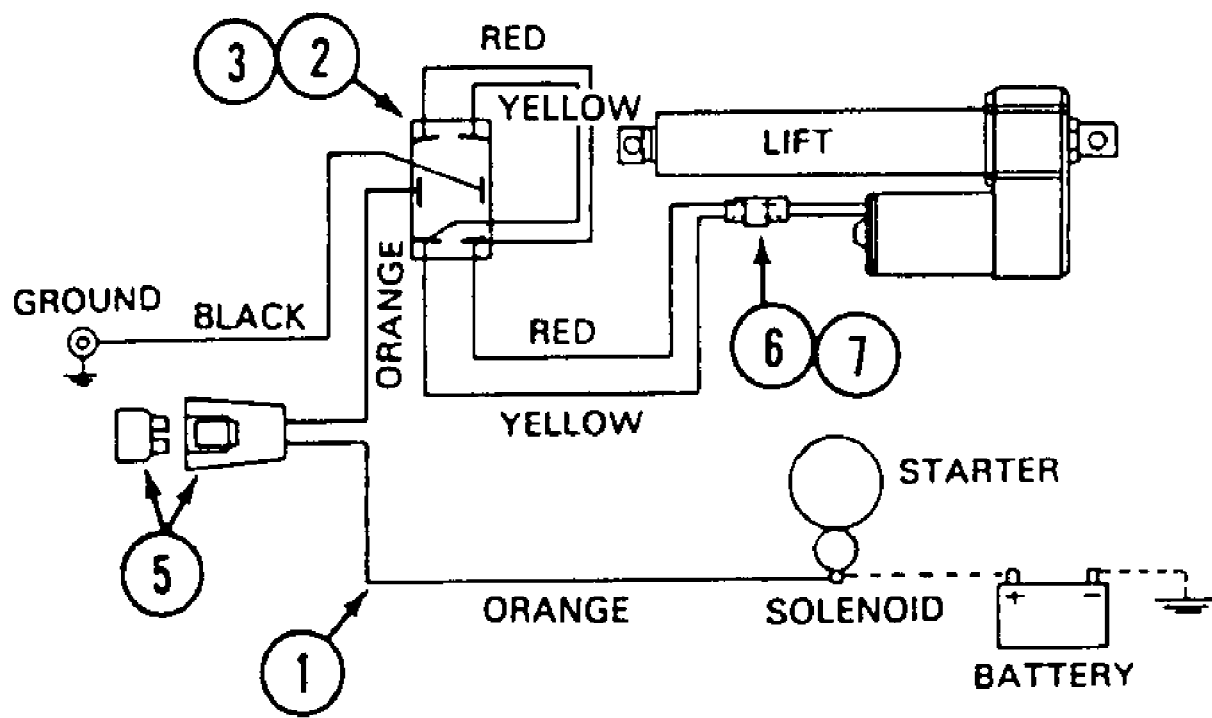
Ref #	Part Number	Qty	S/P/F	Description
1	WD-C33024	4	S	SOLENOID - 12V
2	WD-C43966	4		STRAP
3	WD-C43983	1		BREAKER - 40 amp., 12V
4	WD-900-6150	2		NUT - #10 - 32
5	WD-C43969	1		HARNESS - wire
6	WD-129-101	8		NUT - 1/4" - 20
7	WD-192-19	8		LOCKWASHER - 1/4"
8	WD-113-1	8		BOLT - 1/4" - 20 x 1/2"
9	WD-131-934	10		NUT - 1/4" - 20 flange
10	WD-113-3	2		BOLT - 1/4" - 20 x 3/4"
11	WD-C43965	2		BRACKET - switch
12	WD-C33744	2		SWITCH - limit
13	WD-C43985	1		SWITCH - lift
14	WD-C44495	1		DECAL - switch identification
15	WD-C44471	1		NUT - 15/32" - 32, switch



135-013-190 FR-180 (1995)
Electrical Deck Lift (Cylinder Style)

Page 29 of 63

Ref #	Part Number	Qty	S/P/F	Description
1	WD-C45697	1		MOUNT - cylinder
2	WD-C45700	1		BAR - cross
3	WD-C29804	1		PIN - clevis 1/2" x 2-1/2"
4	WD-195-2067	2		WASHER - 1/2"
5	WD-132-320	1		PIN - cotter 3/32" x 3/4"
6	WD-113-426	2		BOLT - 1/2" - 13 x 2-3/4"
7	WD-131-1182	2	S	NUT - 1/2" - 13 lock
8	WD-C45768	UAR		LINK - spacer
9	WD-113-103	4		BOLT - 5/16" - 18 x 1"
10	WD-131-911	4	S	NUT - 5/16" - 18 flange lock
11	WD-C45766	UAR		SHIM - cylinder mount
12	WD-C45706	1		CYLINDER - lift

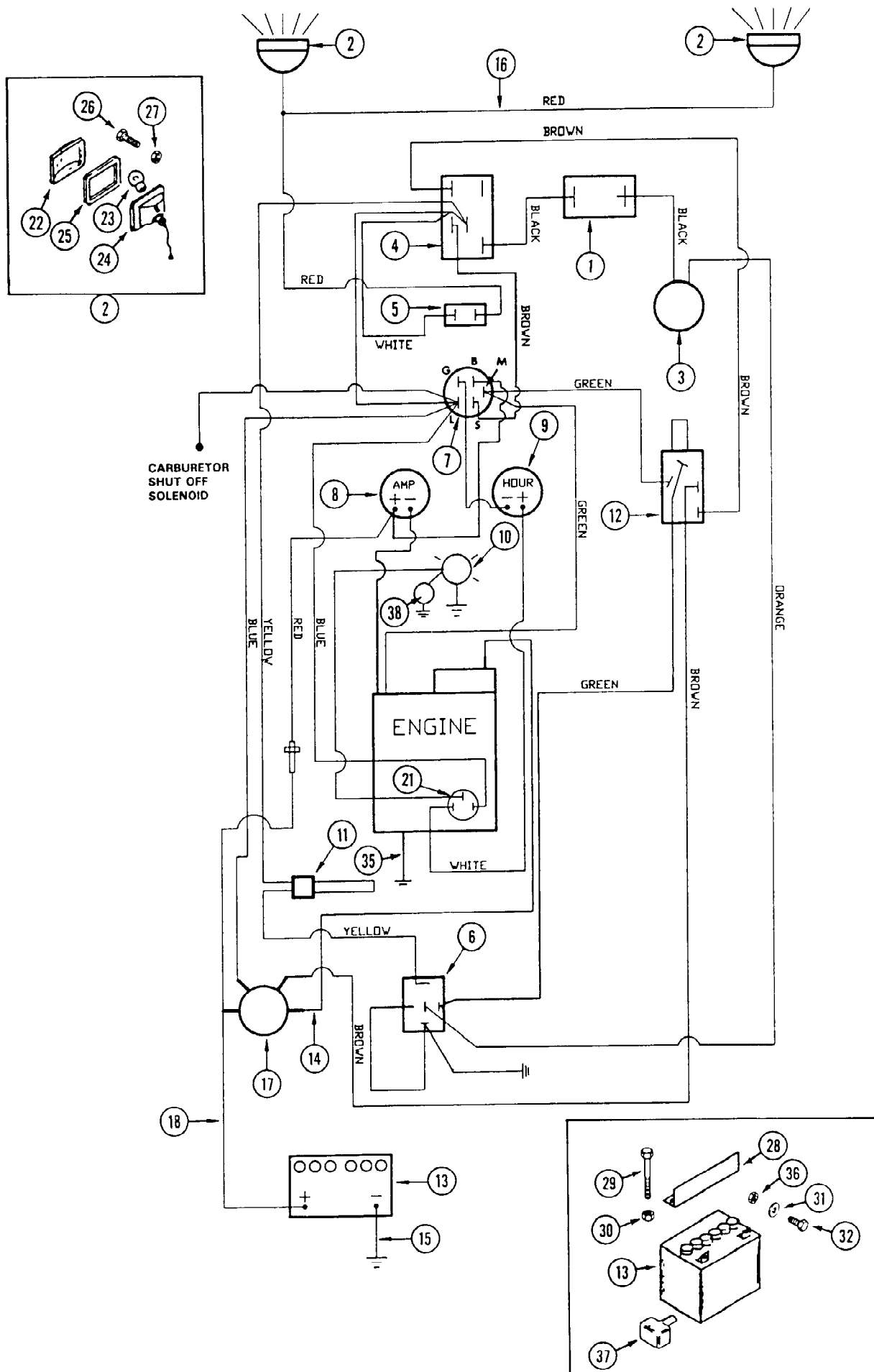


135-013-190 FR-180 (1995)
Electrical System (Deck Lift) Cylinder Style

Page 31 of 63

Ref #	Part Number	Qty	S/P/F	Description
1	WD-C45705	1		HARNESS - wire
2	WD-C45775	1		SWITCH
3	WD-C45780	1		NUT - 15/32" - 32 with boot (switch mounting)
?4	WD-C44495	1		DECAL - lift switch
5	WD-C30261	1		HOLDER - fuse
	WD-C30260	1		FUSE - 30 amp.
6	WD-C24813	1		CONNECTOR - wire harness
7	WD-C31948	1		CONNECTOR - lift actuator

135-013-190 FR-180 (1995)
Electrical System (Use before S/N: A235WJ)



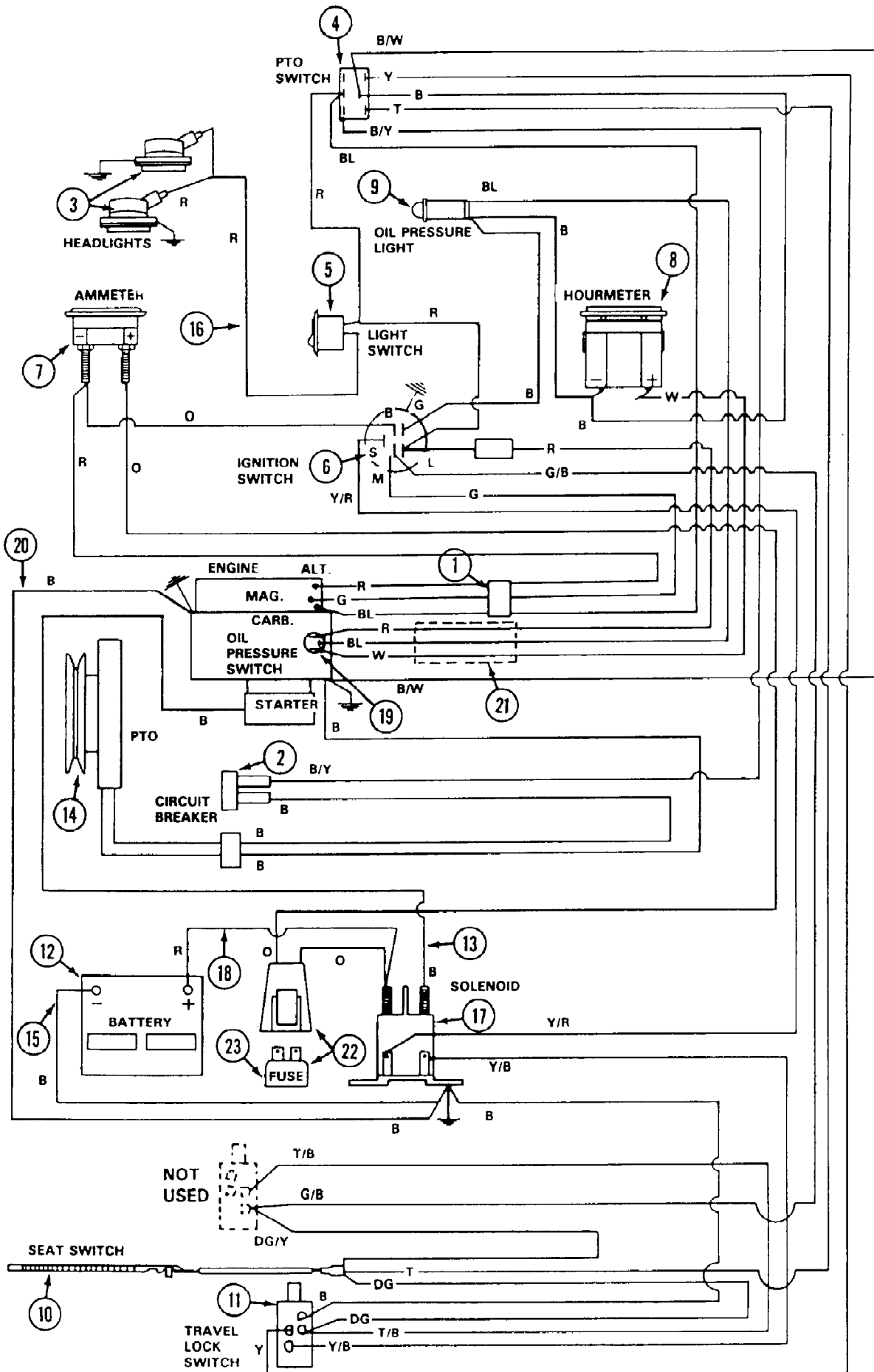
135-013-190 FR-180 (1995)
Electrical System (Use before S/N: A235WJ)

Page 33 of 63

Ref #	Part Number	Qty	S/P/F	Description
	WD-C44265	1		HARNESS - wire
1	WD-900-2044	1	S	BREAKER - circuit, 10 amp.
2	~NSS	2		HEADLIGHT (Use C32178 and C44075)
3	WD-900-5581	1	S	CLUTCH - PTO, electric
4	WD-900-2028	1	S	SWITCH - PTO
	WD-C44469	1		NUT - 1/2" - 27 (PTO switch retaining)
	WD-C31620	1		NUT - 1/2" - 27 black (PTO switch retaining)
5	WD-900-2027	1	S	SWITCH - headlight
6	WD-900-2037	1	S	RELAY
	WD-113-3	1		BOLT - 1/4" - 20 x 3/4" (relay mounting)
	WD-192-19	1		LOCKWASHER - 1/4" (relay mounting)
	WD-121-101	1		NUT - 1/4" - 20 (relay mounting)
7	WD-900-2003	1	S	SWITCH - ignition (Also use C32407)
	WD-C32407	1		KEY - ignition
	WD-C32397	1		CAP - nut
	WD-193-63	1		LOCKWASHER - 5/8"
	WD-C32396	1		NUT - 5/8" - 32
8	WD-900-2002	1		AMMETER
9	WD-900-2023	1	S	METER - hour
10	WD-900-2041	1		LIGHT - oil
11	WD-900-2001	1		SWITCH - seat
12	WD-900-2029	1	S	SWITCH - safety (Enlarge mounting hole if required)
13	WD-900-2060	1		BATTERY - 12 volt
14	WD-C44261	1		WIRE - starter
15	WD-900-2009	1		CABLE - ground
16	WD-900-2014	1		WIRE - headlight
17	WD-900-2005	1		SOLENOID - starting
	WD-113-3	2		BOLT - 1/4" - 20 x 3/4" (solenoid mounting)
	WD-192-19	2		LOCKWASHER - 1/4" (solenoid mounting)
	WD-129-101	2		NUT - 1/4" - 20 (solenoid and relay mounting)
	WD-192-20	2		LOCKWASHER - 5/16" (solenoid studs)
	WD-129-102	2		NUT - 5/16" - 18 (solenoid studs)
	WD-192-18	2		LOCKWASHER - 3/16" (solenoid studs)
	WD-129-37	1		NUT - #10 - 32 (solenoid studs)
	WD-129-6	1		NUT - 48 - 32 (solenoid studs)
18	WD-900-2010	1		WIRE - battery positive to solenoid
21	WD-900-5017	1	S	SWITCH - oil light
22	WD-900-2024	2	S	LENS - headlight
23	WD-900-2025	2	S	BULB - headlight
24	WD-900-2026	2		RECEPTICAL - headlight
25	WD-900-2068	2		GASKET - headlight
26	WD-113-4	2		BOLT - 1/4" - 20 x 1"
27	WD-129-101	2		NUT - 1/4" - 20
28	WD-200-0019	1		BRACKET - battery hold down
29	WD-C38677	2		BOLT - 1/4" - 20 x 7"
30	WD-131-71	4		NUT - 1/4" - 20 lock
31	WD-195-102	3		WASHER - 1/4"
32	WD-113-3	3		BOLT - 1/4" - 20 x 3/4"
?33	WD-131-934	1		NUT - 1/4" - 20 flange lock
35	WD-900-2073	1		WIRE - engine ground
36	WD-129-101	2		NUT - 1/4" - 20

135-013-190 FR-180 (1995)
Electrical System (Use before S/N: A235WJ)

Ref #	Part Number	Qty	S/P/F	Description
37	WD-200-0021	1		COVER - terminal
38	WD-C43048	1		HORN - warning



135-013-190 FR-180 (1995)
Electrical System (Use S/N A235WJ & after)

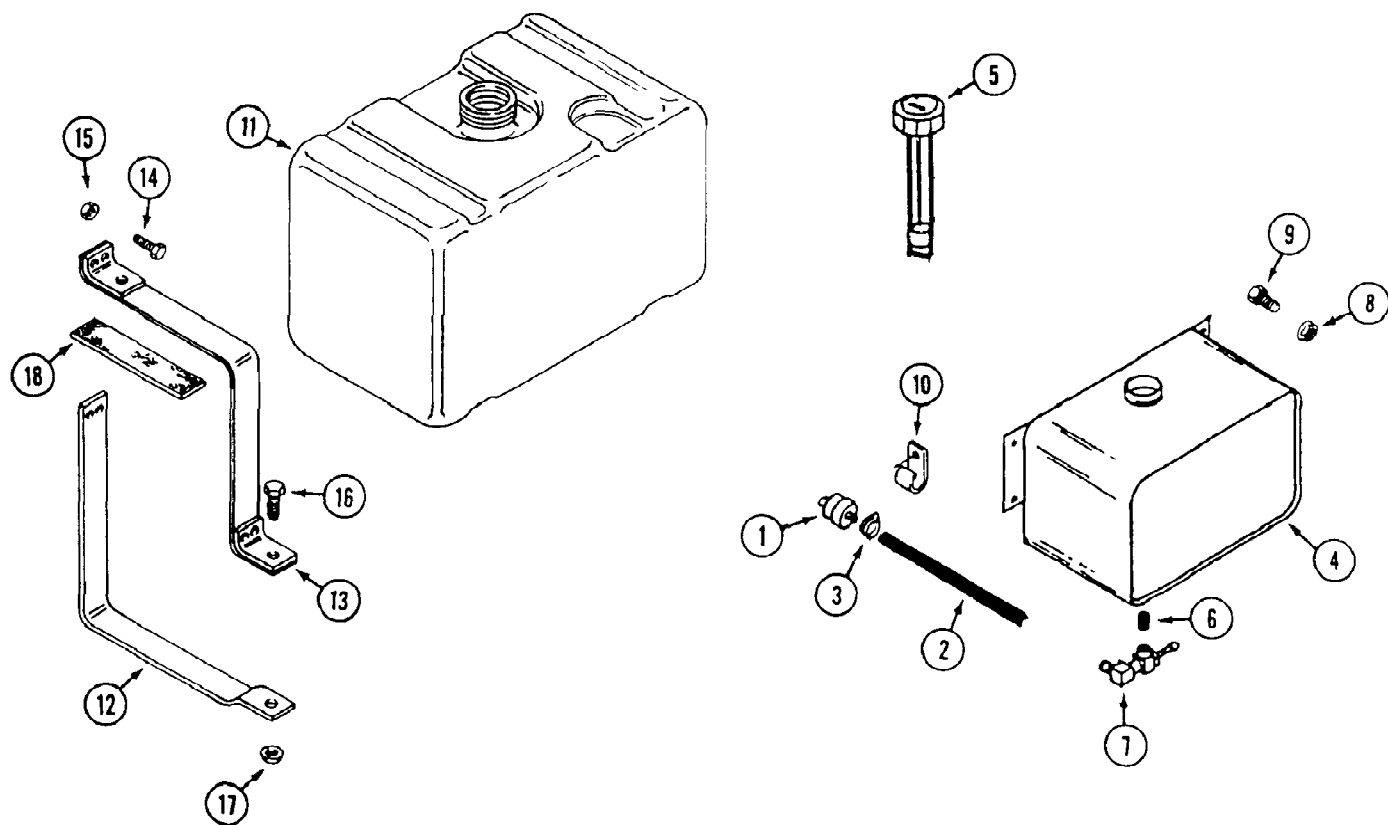
Page 36 of 63

Ref #	Part Number	Qty	S/P/F	Description
	WD-C45535	1		HARNESS - wire main
1	WD-C45539	1		HARNESS - wire, alternator and magneto
2	WD-900-2044	1	S	BREAKER - circuit, 10 amp.
3	WD-C32178	2	/P	HEADLIGHT
	WD-900-2024	1	S	LENS - headlight
	WD-900-2025	1	S	BULB - headlight
	WD-900-2026	1		RECEPTICAL
	WD-900-2068	1		GASKET - headlight
4	WD-C31937	1		SWITCH - PTO (Also use C31619 Cap)
	WD-C44469	1		NUT - 1/2" - 27 PTO switch retaining
	WD-C31620	1		NUT - 1/2" - 27 (Black) PTO switch retaining
5	WD-C43044	1		SWITCH - headlight
6	WD-C30267	1		SWITCH - ignition
	WD-C32407	1		KEY - ignition
	WD-C32397	1		CAP - nut, ignition switch
	WD-193-63	1		LOCKWASHER - 5/8"
	WD-C32396	1		NUT - 5/8" - 32 ignition switch
7	WD-C29413	1		AMMETER
8	WD-C42929	1		METER - hour
9	WD-C45536	1		LIGHT - oil
10	WD-C45537	1		SWITCH - seat
11	WD-900-2029	1	S	SWITCH - safety
	WD-182-525	1		SCREW - #10 - 32 x 3/8" (safety switch mount)
	WD-192-18	1		LOCKWASHER - 3/16" (safety switch mount)
12	WD-C41010	1	S	BATTERY - 12 volt
13	WD-C44261	1		WIRE - starter
14	WD-900-5581	1	S	CLUTCH - PTO
15	WD-900-2009	1		CABLE - ground
16	WD-C44075	1		WIRE - headlight
17	WD-C33024	1	S	SOLENOID - starting
	WD-113-3	2		BOLT - 1/4" - 20 x 3/4" (solenoid mounting)
	WD-131-934	2		NUT - 1/4" - 20 (solenoid mounting)
	WD-192-19	2		LOCKWASHER - 1/4" (solenoid studs)
	WD-129-101	2		NUT 1/4" - 20 (solenoid studs)
18	WD-900-2010	1		WIRE - battery positive to solenoid
19	WD-900-5017	1	S	SWITCH - oil light
20	WD-C41643	1		WIRE - ground
21	WD-C42240	1		HARNESS - oil pressure switch
22	WD-C31947	1		KIT - fuse holder
23	WD-C30260	1		FUSE - 30 amp.

135-013-190 FR-180 (1995)
Engine and Attaching Parts

Page 38 of 63

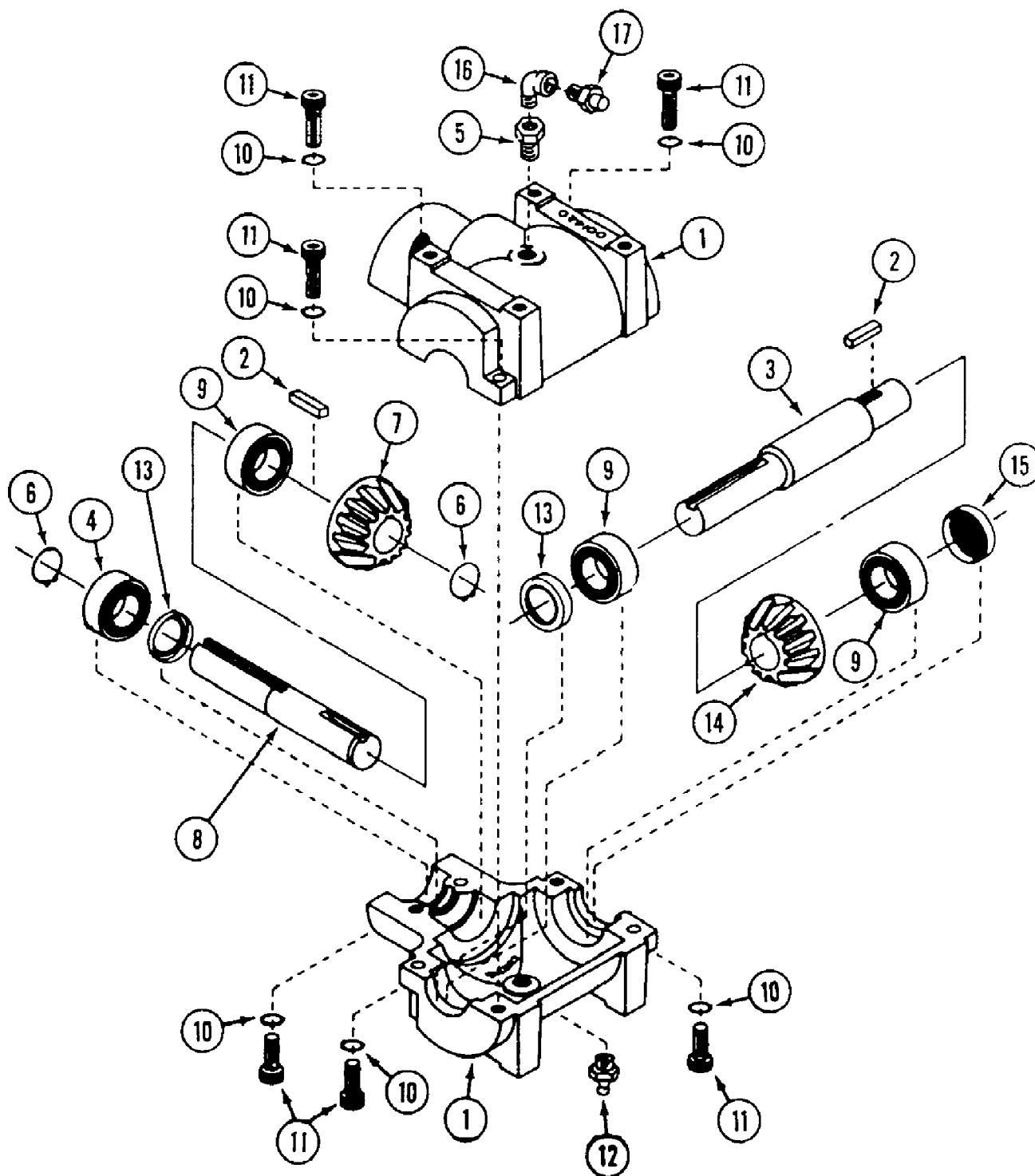
Ref #	Part Number	Qty	S/P/F	Description
1	WD-C44853	1		ENGINE - Briggs & Stratton model 350447, type 0139 (18 hp)
2	WD-900-5005	1	S	ELEMENT - air cleaner
3	WD-900-5008	1	S	PRE-CLEANER
4	WD-113-104	4		BOLT - 5/16" - 18 x 1-1/4"
5	WD-131-911	5	S	NUT - 5/16" - 18 flange lock
6	WD-C32455	5		CLIP - "J"
7	WD-C44244	1		PIPE - exhaust
8	WD-C44243	1		BRACKET - exhaust pipe
9	WD-113-103	1		BOLT - 5/16" - 18 x 1"
10	WD-C45105	1		DUCT - muffler, upper
11	WD-C44256	1	F	DUCT - bottom (Shown)
	WD-C45108	1		DUCT - bottom For model FR-180 with S/N on and after K013WA and model FR-180C with S/N on and after K033WA
12	WD-C44254	1	F	SUPPORT - duct, front (Shown)
13	WD-C44255	1	F	SUPPORT - duct, rear (Shown)
14	WD-C37200	3		SCREW - M6 x 10
15	WD-C28294	2		CLAMP - exhaust
16	WD-217-1085	1		FITTING - street elbow, 1/4" NPT 45°
17	WD-C33949	1		NIPPLE - pipe 3.5"
18	WD-218-5154	1		PLUG - 1/2" - 20
19	WD-900-5017	1	S	UNIT - oil sending
20	WD-100-0013	1	S	SHAFT - stub
21	WD-192-21	2	S	LOCKWASHER - 3/8"
22	WD-113-207	2	S	BOLT - 3/8" - 16 x 1"
23	WD-900-2503	1	S	PULLEY - engine (Use 83-55 set screw)
24	WD-100-0014	1	S	KEY - 1/4" x 1/4" x 1"
25	WD-C34374	1	S	FILTER - oil
26	WD-900-5508	1		CABLE - choke
26	WD-900-5605	1	S	CABLE - throttle
27	WD-900-6152	4		SCREW - #12 x 1/2"
28	WD-C45111	2		BAFFLE - duct
29	WD-C44862	1	S	MUFFLER
30	WD-C44079	1		COVER - terminal, starter



135-013-190 FR-180 (1995)
Fuel System

Page 40 of 63

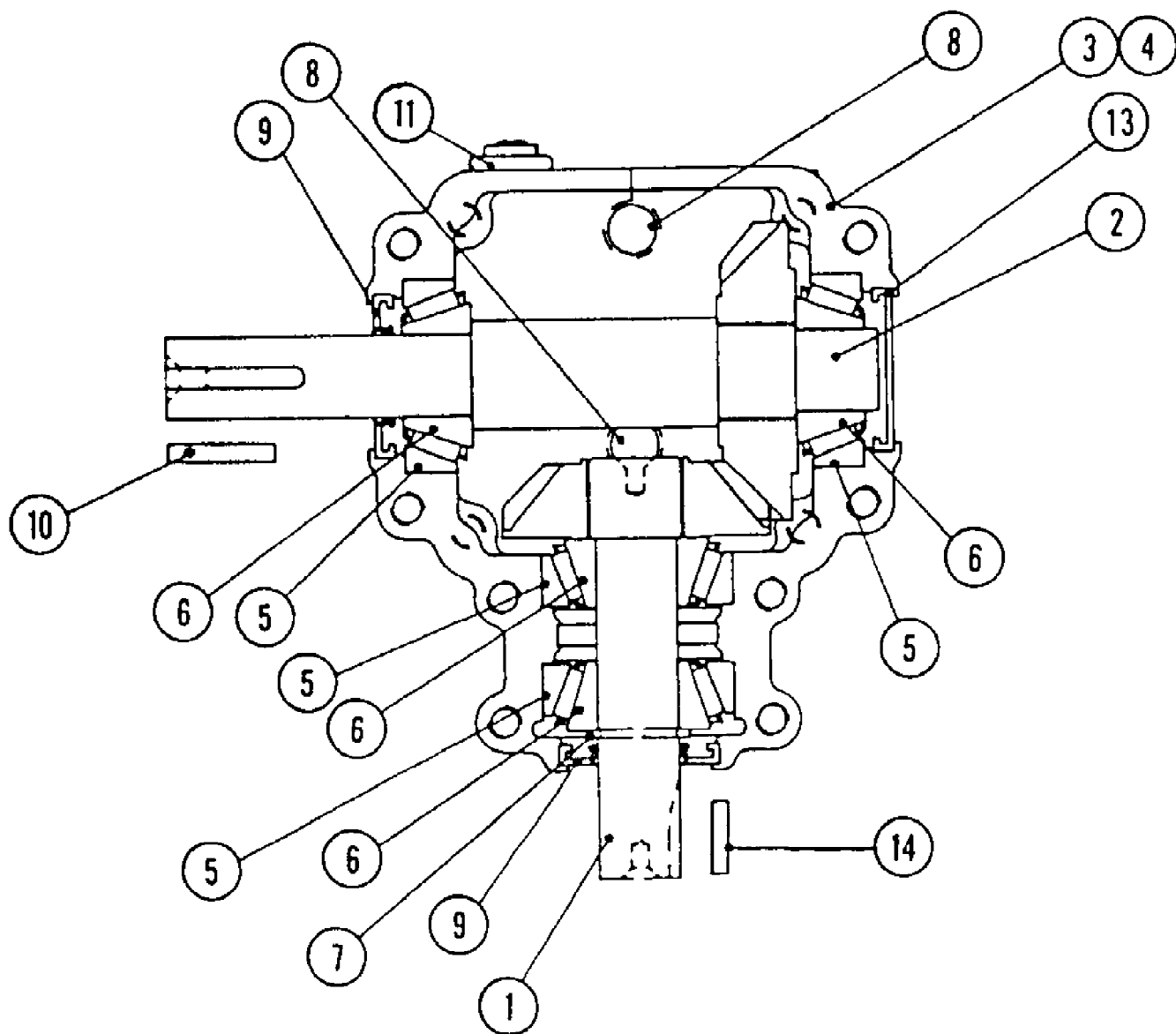
Ref #	Part Number	Qty	S/P/F	Description
1	WD-900-5514	1	S	FILTER - fuel
2	WD-C44027	1		HOSE - fuel (Cut to length)
3	WD-214-103	4		CLAMP - hose
4	~NSS	1		TANK - fuel (1-3/4" filler tube) (Use C45119, C44822) metal
	WD-C45119	1		TANK - fuel (2-1/4" filler tube) metal
5	WD-C44290	1	/P	CAP - fuel tank (with gauge) (1-3/4" threads)
	WD-C44822	1		CAP - fuel tank (with gauge) (2-1/4" threads) Use on metal tank
	WD-C45334	1		CAP - fuel tank (with gauge) (2-1/4" threads) Use on plastic tank
6	WD-221-1101	1		NIPPLE - pipe 1/8"
7	WD-900-5513	1		VALVE - shut off
8	WD-131-934	4		NUT - 1/4" - 20 flange lock
9	WD-113-1	1		BOLT - 1/4" - 20 x 1/2"
9	WD-113-3	3		BOLT - 1/4" - 20 x 3/4"
10	WD-C32455	1		CLIP - "J" fuel line
11	WD-C45333	1		TANK - fuel (2-1/4" filler tube) (plastic)
	~NSS	1		TANK - fuel (1-3/4" filler tube) (plastic) (Use C45333, C45334)
12	WD-C45061	1		BRACKET - fuel tank
13	WD-C45062	1		STRAP - fuel tank
14	WD-113-17	2		BOLT - 1/4" - 20 x 1-1/2"
15	WD-131-71	2		NUT - 1/4" - 20 lock
16	WD-113-103	2		BOLT - 5/16" - 18 x 1"
17	WD-131-911	2	S	NUT - 5/16" - 18 flange lock
18	WD-C34189	2		CUSHION



135-013-190 FR-180 (1995)
Gear Box (Curtis)

Page 42 of 63

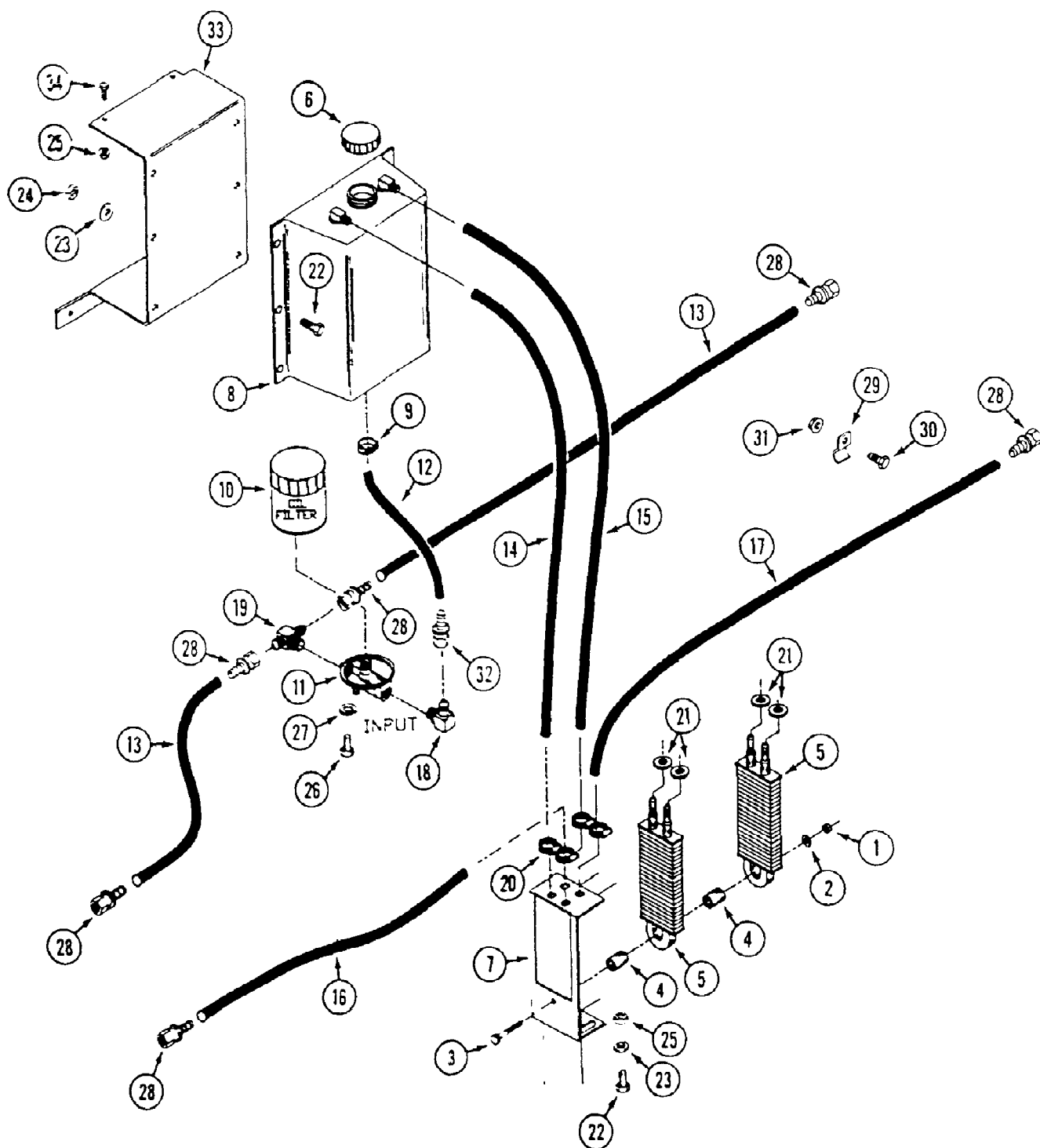
Ref #	Part Number	Qty	S/P/F	Description
	WD-900-5842	1	S	GEAR BOX
1	WD-900-7036	2		HOUSING - half
2	WD-900-7001	2	S	KEY - 3/16" x 3/16" x 1"
3	WD-900-7037	1		SHAFT - input
4	WD-900-7008	1	S	BEARING - ball
5	WD-15001	1		BUSHING - pipe 1/4" x 1/8"
6	WD-900-7005	2		RING - retaining
7	WD-900-7038	1		GEAR - output shaft
8	WD-900-7044	1	S	SHAFT - output
9	WD-900-7041	3	S	BEARING - ball
10	WD-900-7009	6		LOCKWASHER
11	WD-900-7010	6		CAP SCREW - allen head
12	WD-900-7053	1	S	FITTING - grease 1/4" NPT
13	WD-900-7042	2	S	SEAL - shaft
14	WD-900-7040	1		GEAR - input shaft
15	WD-900-7043	1	S	PLUG - expansion
16	WD-900-5020	1		ELBOW - street 1/8" x 90°.
17	WD-900-7004	1	S	VALVE - relief
	WD-999-2010	1		GREASE - synthetic, cartridge



135-013-190 FR-180 (1995)
Gear Box (Superior)

Page 44 of 63

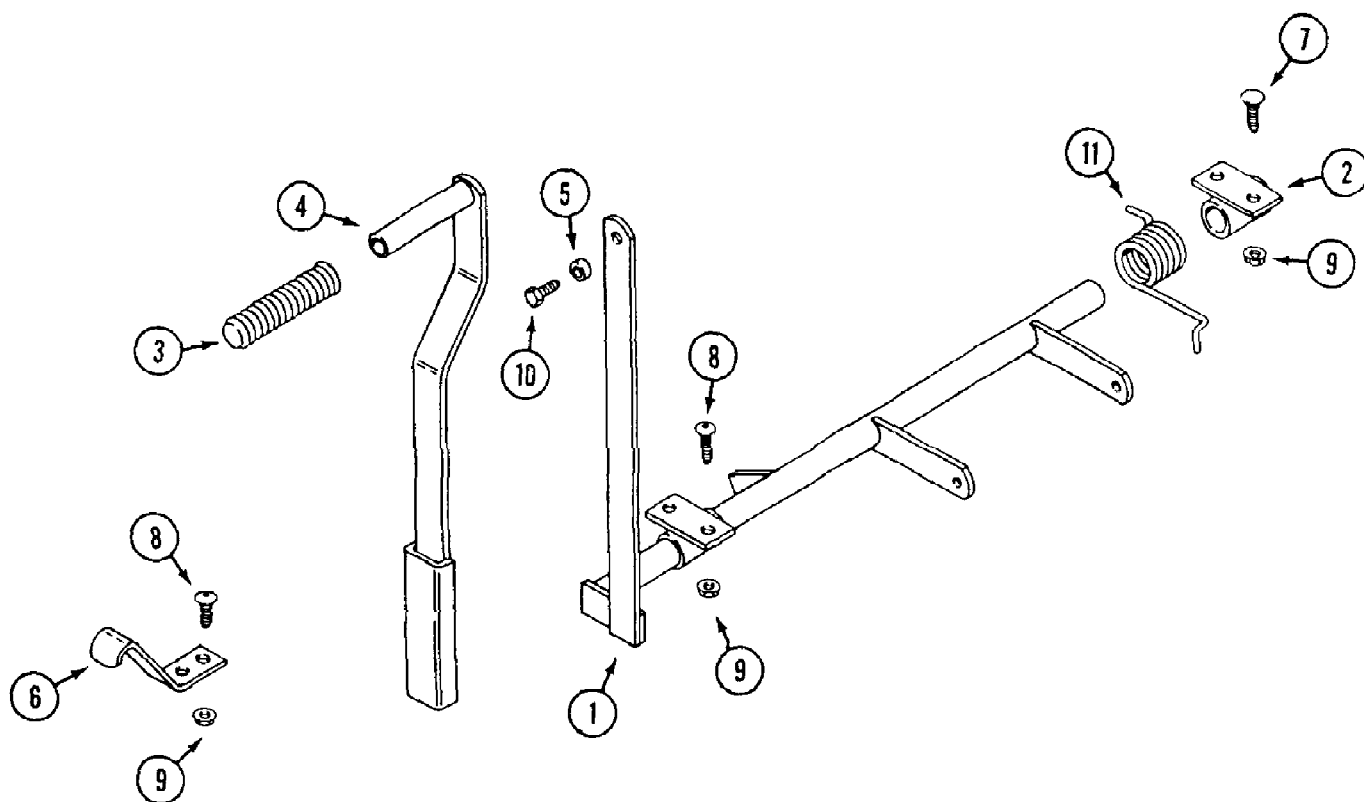
Ref #	Part Number	Qty	S/P/F	Description
1	WD-C42924	1		SHAFT - pinion, with gear
2	WD-C42923	1		SHAFT - cross, with gear
3	WD-C42917	1		HOUSING - with tapped holes
4	WD-C42927	1		HOUSING - with thru holes (Not shown)
5	WD-C42918	4		CUP - bearing
6	WD-C42921	4		CONE - bearing
7	WD-C42919	1		RING - retaining
8	WD-C42920	3		PLUG - pipe 1/4"
9	WD-C42922	2		SEAL - shaft
10	WD-300-0021	1	S	KEY - 3/16" x 1" input shaft
11	WD-C42928	1		PIPE - vent
?12	WD-C42926	8		BOLT - 5/16" x 1" socket head (Not shown)
13	WD-C42925	1		CAP - end
14	WD-C28215	1		KEY - 3/16" x 5/8" output shaft



135-013-190 FR-180 (1995)
Hydraulic System

Page 46 of 63

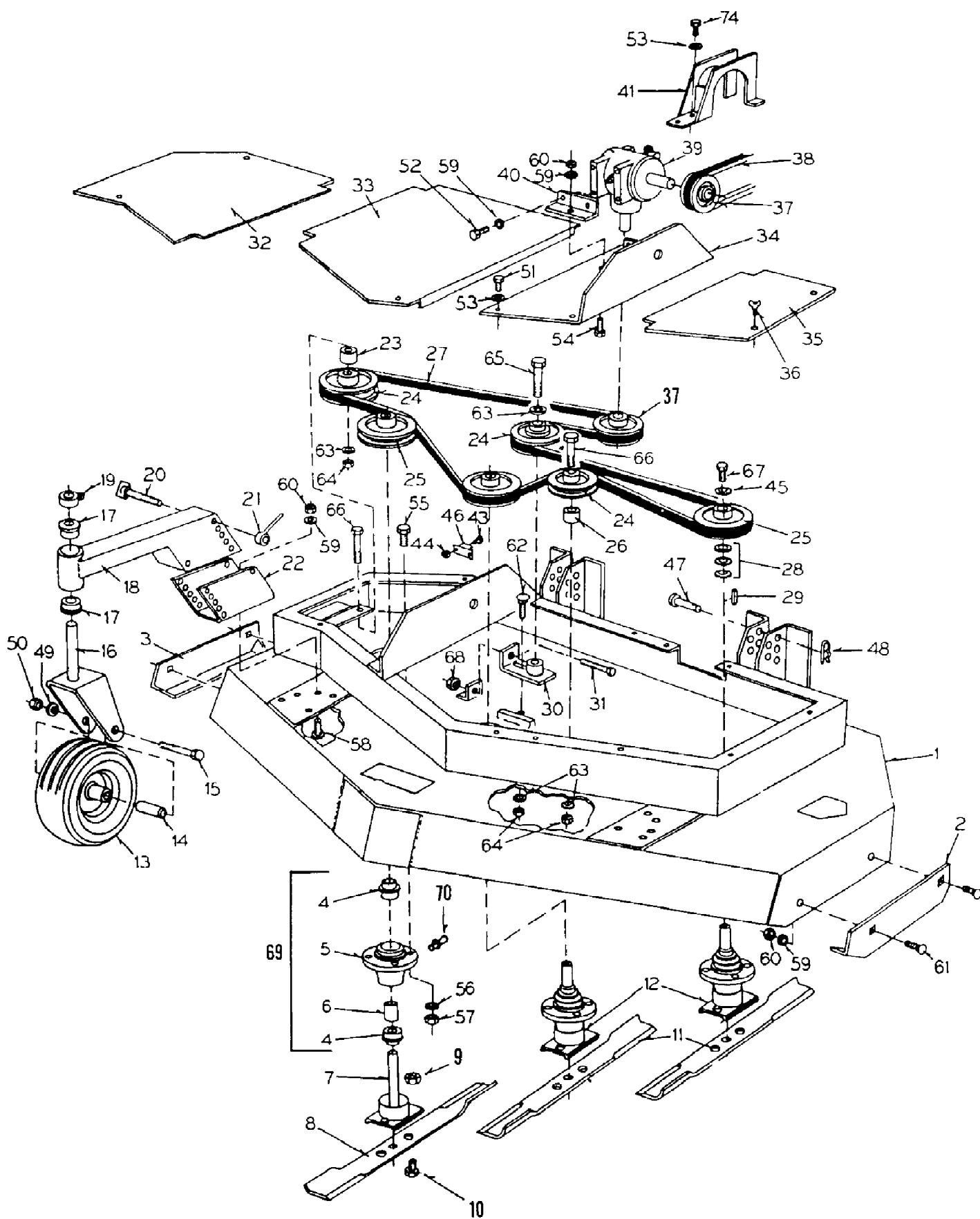
Ref #	Part Number	Qty	S/P/F	Description
1	WD-131-69	1		NUT - lock 5/16"
2	WD-195-103	1		WASHER - 5/16"
3	WD-113-119	1		BOLT - 5/16" - 18 x 2-3/4"
4	WD-C45495	2		BUSHING - rubber
5	WD-900-8164	2		COOLER - oil
6	WD-900-8059	1	S	CAP - oil tank
7	WD-114-0012	1		MOUNT - oil cooler
8	WD-900-8165	1	S	TANK - oil
9	WD-214-254	2	S	CLAMP - hose 5/8"
10	WD-900-8013	1		FILTER - oil
11	WD-900-8072	1	S	HEAD - oil filter
12	WD-C42785	1		HOSE - 5/8" x 11" (12" cut to length)
13	WD-C42784	1		HOSE - hydraulic 3/8" x 13" (48" cut to length)
14	WD-C42784	1		HOSE - hydraulic 3/8" x 25" (48" cut to length)
15	WD-C42784	1		HOSE - hydraulic 3/8" x 27" (48" cut to length)
16	WD-C42784	1		HOSE - hydraulic 3/8" x 38" (48" cut to length)
17	WD-C42784	1		HOSE - hydraulic 3/8" x 24" (48" cut to length)
18	WD-900-8076	1		FITTING - male 90° adapter
19	WD-900-8095	1		FITTING - male tee adapter
20	WD-214-274	1		CLAMP - hose 3/8"
21	WD-900-5829	4		GROMMET - 1/2" ID x 1" O.D.
22	WD-113-3	6		BOLT - 1/4" - 20 x 3/4"
23	WD-195-102	8		WASHER - 1/4"
24	WD-131-1102	4		NUT - 1/4" - 20 lock
25	WD-131-934	2		NUT - 1/4" - 20 flange lock
26	WD-C41931	2		BOLT - 1/4" - 20 x 3/4" self-tap
27	WD-192-19	2		LOCKWASHER - 1/4"
28	WD-C41986	6		FITTING - 3/8" hose barb x 3/8" FM JIG
29	WD-C32455	1		CLIP - "J"
30	WD-113-102	1		BOLT - 5/16" x 18 x 3/4"
31	WD-131-911	1	S	NUT - 5/16" - 18 flange lock
32	WD-900-8089	1		FITTING - 5/8" hose barb x 1/2" FM JIC
33	WD-213-0001	1		MOUNT - oil tank
34	WD-113-1	4		BOLT - 1/4" - 20 x 1/2"
?35	WD-C42590	2		FITTING - 90°.



135-013-190 FR-180 (1995)
Lift Lever

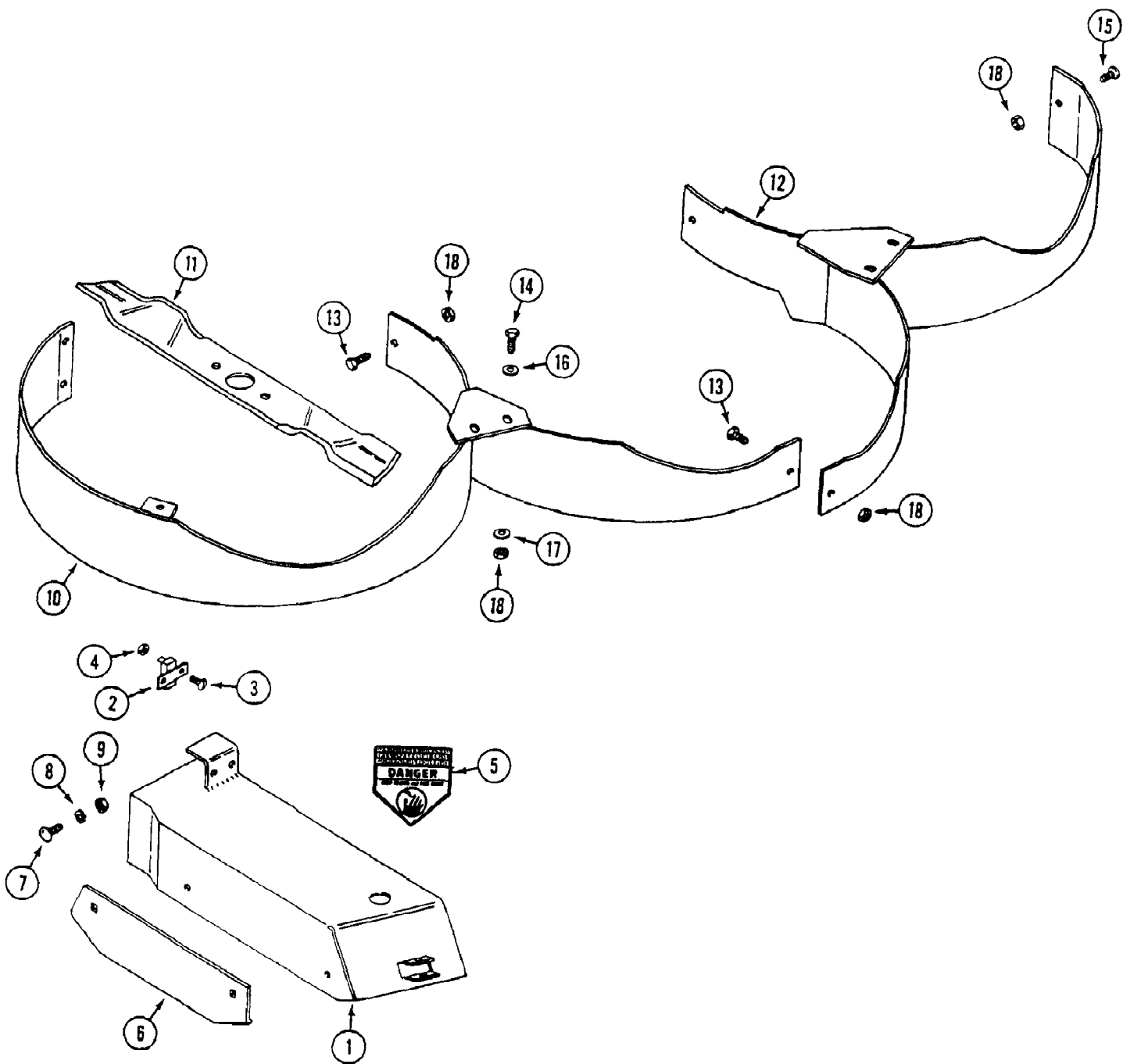
Page 48 of 63

Ref #	Part Number	Qty	S/P/F	Description
1	WD-C44942	1		LEVER - lift
2	WD-C44948	1		PIVOT - lift
3	WD-900-5500	1	S	GRIP - handle
4	WD-C44949	1		EXTENSION - lift lever, upper
5	WD-C42895	1	/P	BUSHING
6	WD-C44952	1		BRACKET - lever lock down
7	WD-111-132	4		BOLT - carriage 5/16" - 18 x 3/4"
8	WD-C44959	4		SCREW - 5/16" - 18 x 1" allen head
9	WD-131-911	8	S	NUT - 5/16" - 18 flange lock
10	WD-113-1	1		BOLT - 1/4" - 20 x 1/2"
11	WD-C45120	1		SPRING - torsion



Ref #	Part Number	Qty	S/P/F	Description
1	WD-C44087	1		DECK - rear discharge 52"
2	WD-320-0014	1		SHOE - skid L.H.
3	WD-321-0003	1		SHOE - skid R.H.
4	~NSS	6	F	BEARING - spindle 7/8 (Use C45886 (2) and C45884)
	WD-C45886	6	F	BEARING - spindle 7/8"
5	WD-300-0025	3	S	HOUSING - spindle
6	WD-300-0027	3	S/F	SPACER - spindle
	WD-C45884	3	F	SPACER - spindle
7	WD-C44128	1		SHAFT - spindle L.H. rotation
8	WD-C44137	1		BLADE - L.H. rotation
9	WD-131-1216	6		NUT - 3/8" - 16 lock
10	WD-113-268	6		BOLT - 3/8" - 16 x 1
11	WD-C44136	2		BLADE - R.H. rotation
12	WD-C44128	2		SHAFT - spindle
13	WD-900-4004	2		WHEEL - gauge
	WD-900-4006	1		TIRE - 11 x 4.00 - 5
	WD-900-4005	1		RIM - 5"
	WD-900-3505	2	S	BEARING - wheel
14	WD-200-0017	2	S	AXLE - gauge wheel
15	WD-900-6133	2	S	BOLT - 1/2" - 13 x 6-1/2"
16	WD-330-0007	2		FORK - gauge wheel
17	WD-900-3501	4	S	BEARING - 1"
18	WD-300-0043	2		MOUNT - gauge wheel
19	WD-900-5510	2		COLLAR - set 1"
20	WD-900-6096	4		BOLT - wing 3/8" - 16 x 4-1/2"
21	WD-900-6092	4		NUT - gauge wheel handle 3/8" - 16
22	WD-300-0044	2	S	BRACKET - gauge wheel mount
23	WD-321-0006	1		SPACER - idler pulley
24	WD-900-2558	3	S	PULLEY - idler 5"
25	WD-900-2557	3		PULLEY - spindle 4-1/2"
26	WD-300-0016	1	S	SPACER - idler pulley
27	WD-900-3028	1	S	BELT - deck
28	WD-900-6002	9	S	WASHER - spacer
29	WD-300-0021	5	S	KEY - 3/16" x 3/16" x 1"
30	WD-300-0015	1		TIGHTENER - belt
31	WD-900-6034	1		BOLT - 1/4" - 20 x 4"
32	WD-321-0002	1		COVER - R.H.
33	WD-320-0002	1		COVER - center
34	WD-321-0001	1		MOUNT - gear box
35	WD-320-0001	1		COVER - L.H.
36	~NSS	6		SCREW - thumb 1/4" - 20 x 1/2" (Use 113-3 and 192-19)
37	WD-900-2525	1	S	PULLEY - gear box input
38	WD-C44241	1	S	BELT - drive (1800C)
39	WD-900-5842	1	S	GEAR BOX - angle drive (See "Gear Box Curtis model" illustration and parts list for service.)
	WD-C42775	1	S	GEAR BOX - angle drive (See "Gear Box Superior model" illustration and parts list for service.)

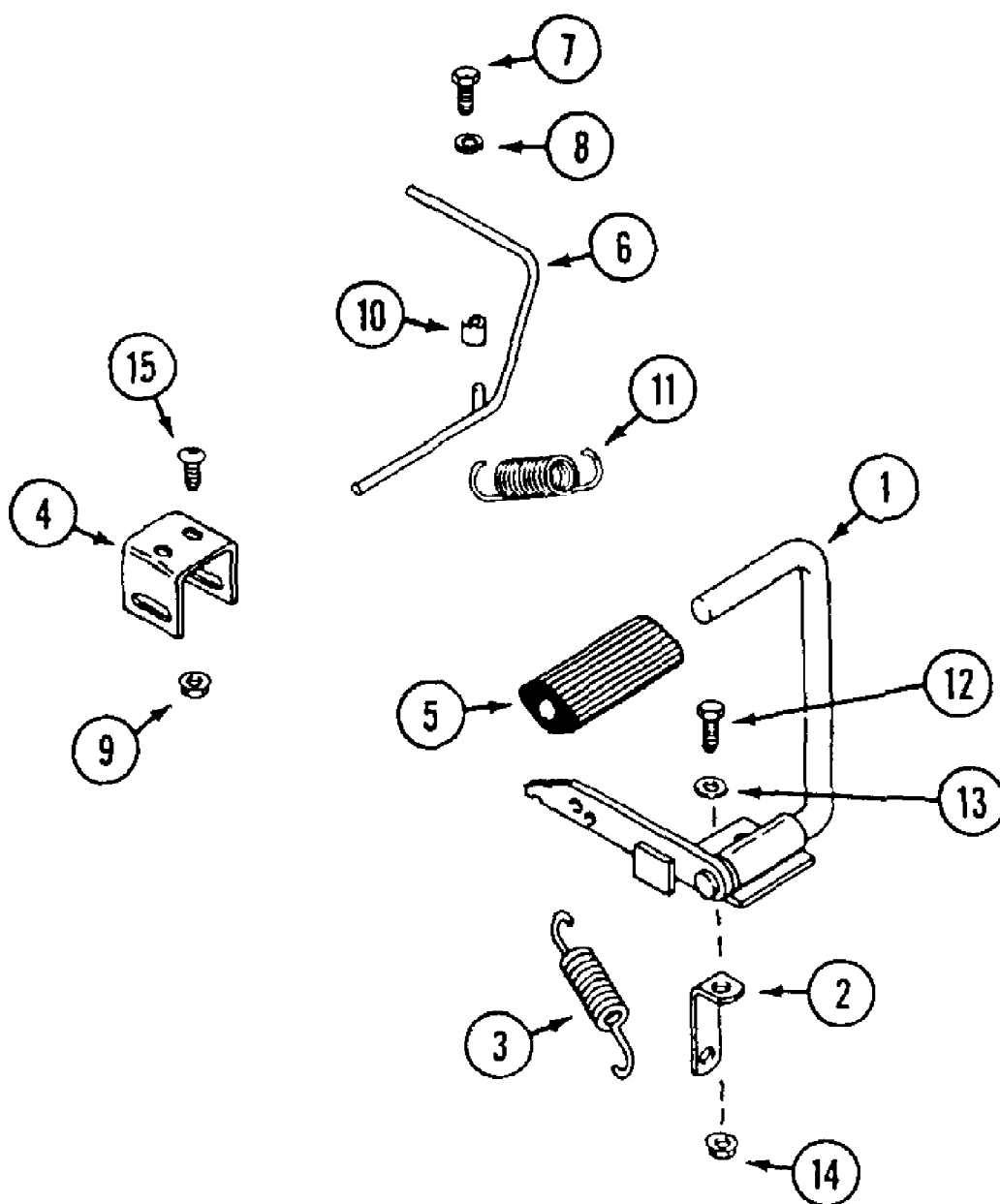
Ref #	Part Number	Qty	S/P/F	Description
40	WD-310-0006	1		ANGLE - gear box mount
41	WD-311-0002	1		GUARD - belt
?42	WD-900-6106	1		BOLT - 3/8" - 24 x 1-1/4" L.H.
43	WD-C37597	2		SCREW - #10 - 32 x 1/2"
44	WD-900-6150	2		NUT - lock #10 - 32
45	WD-C45846	3		WASHER - spindle
46	WD-900-2044	1	S	BREAKER - circuit 10 amp.
47	WD-900-5519	2		PIN - clevis 1/2" x 1-1/2"
48	WD-900-5520	2		PIN - cotter, hair
49	WD-900-6127	2	S	LOCKWASHER - 1/2"
50	WD-C37593	2	S	NUT - 1/2" - 13
51	WD-C38084	5		BOLT - 1/4" - 20 x 3/4"
52	WD-C38085	4		BOLT - 5/16" - 18 x 1"
53	WD-C37757	7		LOCKWASHER - 1/4"
54	WD-C38086	1		BOLT - 5/16" - 18 x 3/4"
55	WD-C38087	1		BOLT - 7/16" - 14 x 1-1/4"
56	WD-C38088	12		LOCKWASHER - 7/16"
57	WD-C38089	12	/P	NUT - 7/16" - 14
58	WD-C38090	6		BOLT - carriage 5/16" - 18 x 1"
59	WD-C37748	10		LOCKWASHER - 5/16"
60	WD-C37560	10		NUT - 5/16"
61	WD-C38091	4		BOLT - carriage 5/16" - 18 x 3/4"
62	WD-C38092	1	S	BOLT - carriage 3/8" - 16 x 1"
63	WD-C37591	4		LOCKWASHER - 3/8"
64	WD-C37592	3	S	NUT - 3/8" - 16
65	WD-C38093	1		BOLT - 3/8" - 16 x 1-1/4"
66	WD-C38094	2		BOLT - 3/8" - 16 x 2-1/2"
67	WD-114-201	3	/P	BOLT - 3/8" - 24 x 1-1/4"
68	WD-C37734	1	S	NUT - lock 1/4" - 20
69	WD-C45859	3	/P	HOUSING ASSEMBLY - spindle (Includes ref. 4, 5 and 6)
70	WD-219-20	3		FITTING - grease 1/4" - 28
74		1		UNKNOWN



135-013-190 FR-180 (1995)
Mulching Kits

Page 53 of 63

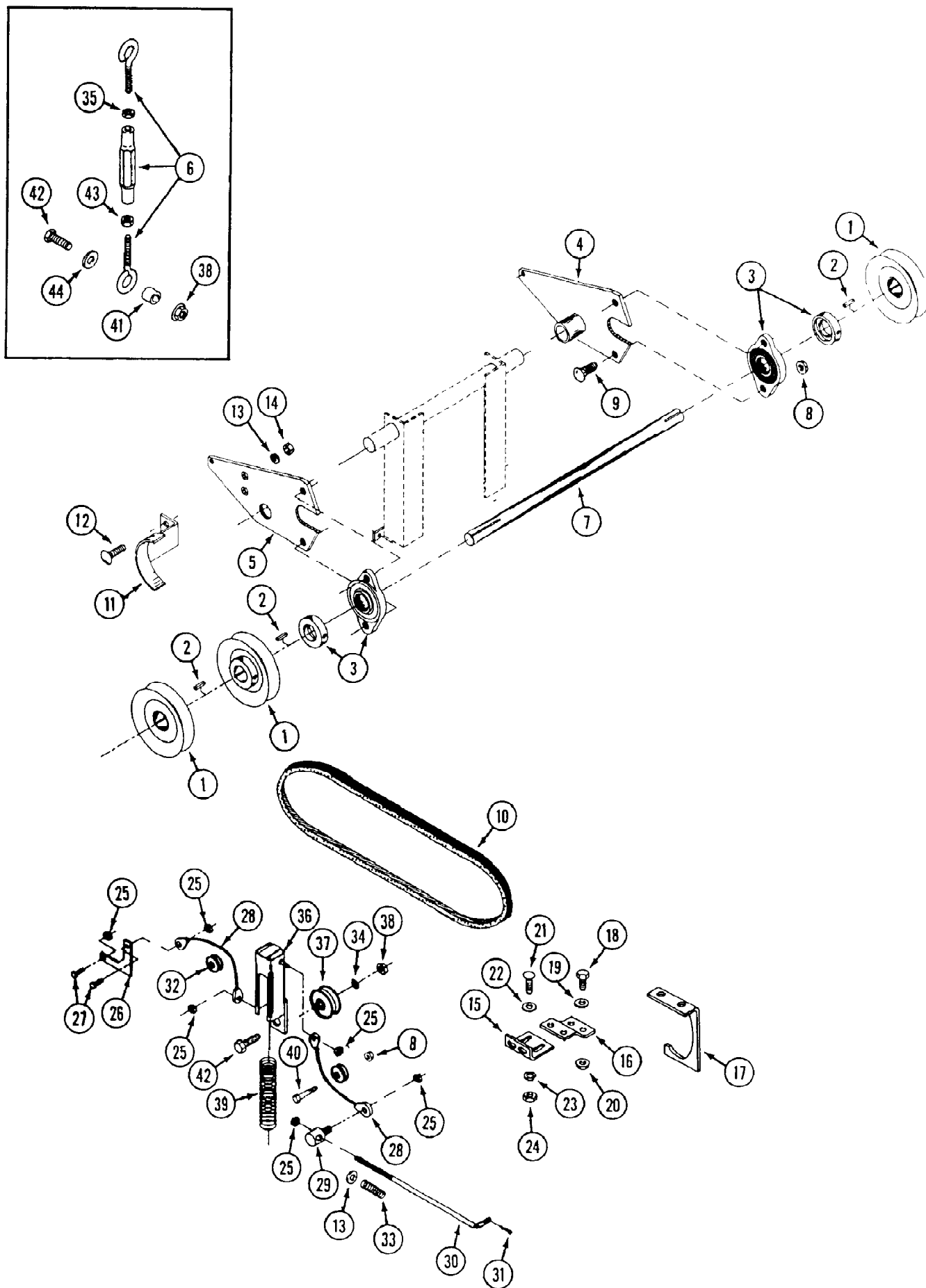
Ref #	Part Number	Qty	S/P/F	Description
1	WD-C45238	1		CAP - end (For W873 deck)
	WD-C46746	1		CAP - end (For W815 deck)
	WD-C45512	1		CAP - end (For W816, W874 deck) shown
2	WD-C37505	1	S	BREAKER - 10 amp.
3	WD-182-528	2		SCREW - #10 - 32 x 1/2"
4	WD-193-1000	2		NUT - #10 - 32 lock
5	WD-C37494	1		DECAL - "Danger"
6	WD-C37956	1	S	SHOE - skid (For W815, W816, W874 deck)
	WD-C46701	1		SHOE - skid (For W815 deck)
7	WD-111-132	2		BOLT - 5/16" - 18 x 3/4" carriage
8	WD-192-20	2		WASHER - lock 5/16"
9	WD-129-102	2		NUT - 5/16" - 18
10	WD-C46749	1		BAFFLE - R.H. (For W815 deck)
	WD-C45516	1		BAFFLE - R.H. (For W816, W874 deck) shown
	WD-C45240	1		BAFFLE - R.H. (For W873 deck)
11	WD-C45901	3		BLADE - 18" (For W873 deck before S/N 011312080)
	WD-C46050	3		BLADE - 21.5 (For W874 deck before S/N 011306009)
	WD-C45248	3		BLADE - (18") (For W815 deck) (for W873 deck S/N 011312080 and after)
	WD-C45511	1		BLADE - (21.5") Shown (for W816 deck) (for W874 deck S/N 011306009)
12	WD-C45244	1		BAFFLE - L.H. (For W873 deck)
	WD-C46751	1		BAFFLE - L.H. (For W815 deck)
	WD-C45519	1		BAFFLE - L.H. (For W816, W874 deck) shown
13	WD-113-102	6		BOLT - 5/16" - 18 x 3/4"
14	WD-113-103	4		BOLT - 5/16" - 18 x 1"
15	WD-C42056	1		SCREW - 5/16" x 18 x 5/8"
16	WD-195-521	7		WASHER - 5/16" x 5/8"
17	WD-195-103	4		WASHER - 3/8" x 7/8"
18	WD-131-69	11		NUT - 5/16" - 18 lock



135-013-190 FR-180 (1995)
Parking Brake

Page 55 of 63

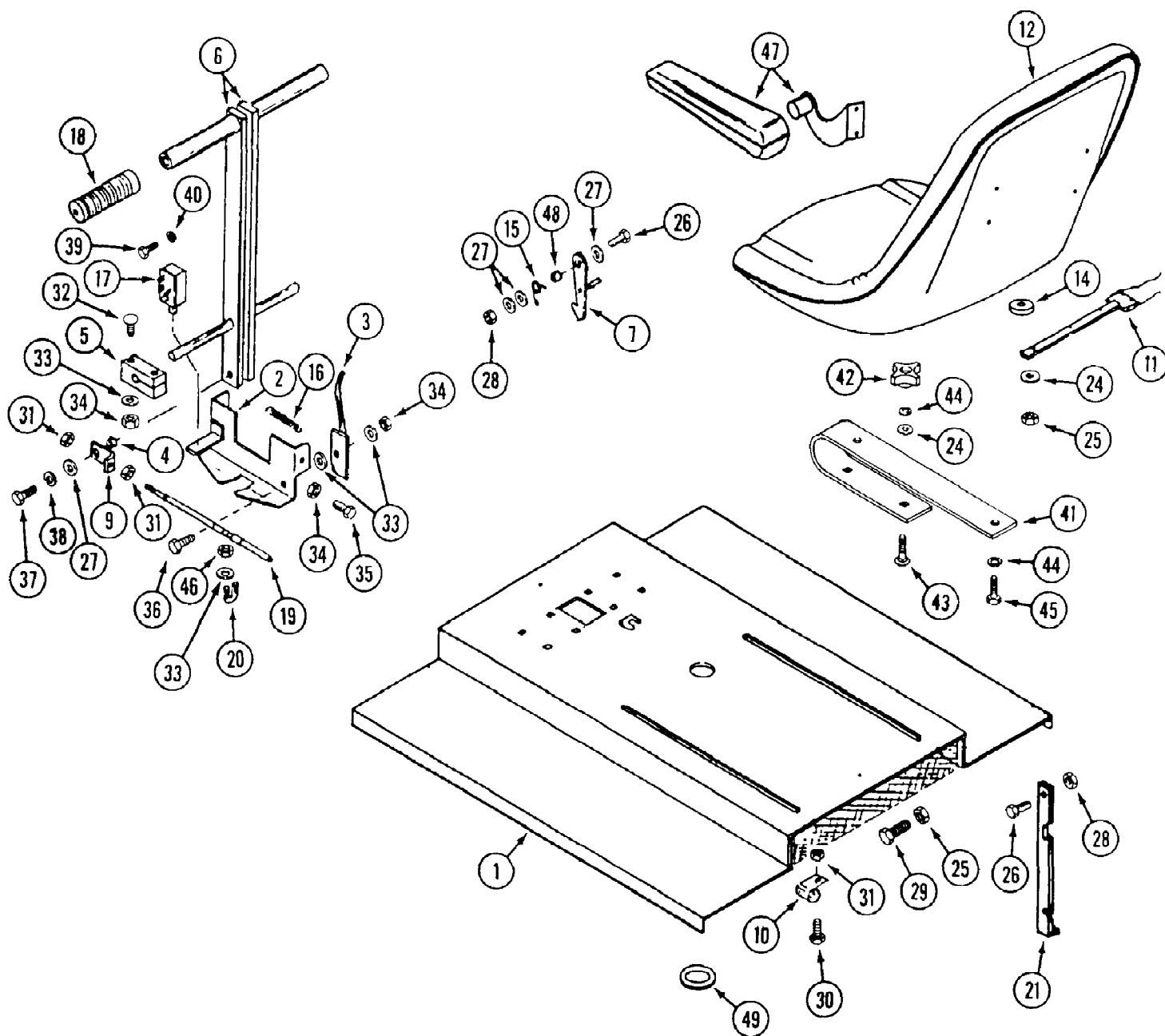
Ref #	Part Number	Qty	S/P/F	Description
1	WD-C44420	1		PEDAL - parking brake
2	WD-C44424	1		TAB - spring mount
3	WD-900-5569	1	S	SPRING - brake return
4	WD-C44425	1		BRACKET - brack lock
5	WD-900-5563	1	S	PAD - brake pedal
6	WD-C44969	1		LEVER - brake lock
7	WD-C42056	1		SCREW - 5/16" - 18 x 5/8" allen head
8	WD-900-6151	1		LOCKWASHER - 5/16"
9	WD-131-934	2		NUT - 1/4" - 20 flange lock
10	WD-201-0002	1		TAB - pivot
11	WD-900-5562	1		SPRING - return, lock lever
12	WD-113-103	2		BOLT - 5/16" - 18 x 1"
13	WD-195-103	1		WASHER - 5/16"
14	WD-131-911	2	S	NUT - 5/16" - 18 flange lock
15	WD-C44981	2		SCREW - 1/4" - 20 x 1/2" allen head



135-013-190 FR-180 (1995)
Pump Drive Cross Shaft

Page 57 of 63

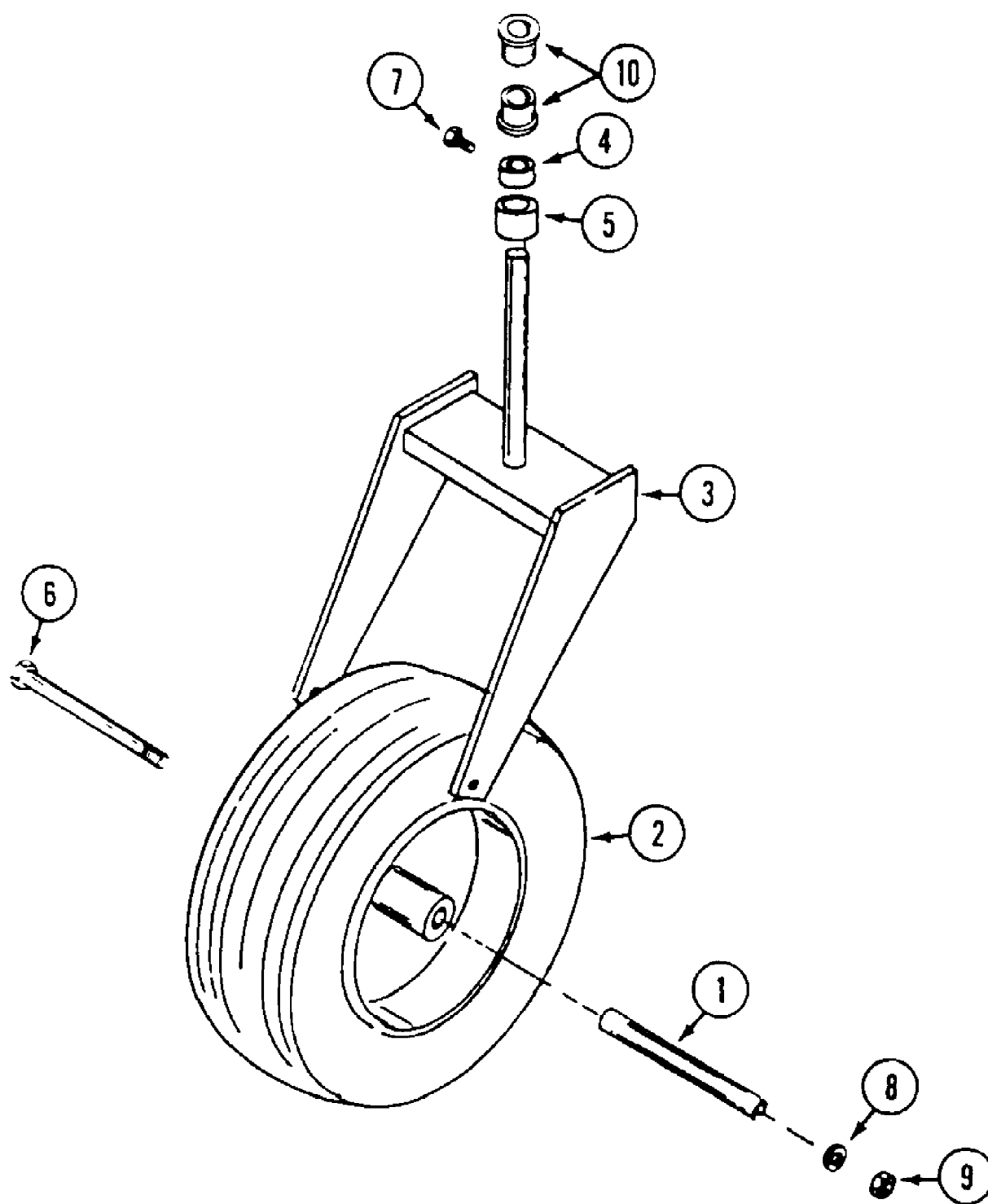
Ref #	Part Number	Qty	S/P/F	Description
1	WD-900-2506	3	S	PULLEY - 4" O.D. x 3/4" ID (Use 83-55 set screw)
2	WD-900-7001	3	S	KEY - 3/16" x 3/16" x 1"
3	WD-900-3516	2		BEARING - flanged (Includes locking collar)
4	WD-114-0006	1	S	MOUNT - bearing L.H.
5	WD-114-0007	1	S	MOUNT - bearing R.H.
6	WD-C45123	2		TURN BUCKLE
7	WD-C45474	1	S/F	SHAFT - cross
	WD-114-0002	1	S/F	SHAFT - cross
8	WD-131-911	6	S	NUT - 5/16" - 18 flange lock
9	WD-111-203	4		BOLT - 5/16" - 18 x 1" carriage
10	WD-C24342	1	/P	BELT - drive 36"
11	WD-C44336	1		RETAINER - cross shaft belt
12	WD-111-108	2		BOLT - 1/4" - 20 x 3/4" carriage
13	WD-192-19	2		LOCKWASHER - 1/4"
14	WD-129-101	2		NUT - 1/4" - 20
15	WD-114-0010	1		BRACKET - engine belt retainer
16	WD-C44328	1		BRACKET - engine belt
17	WD-114-0011	1		RETAINER - engine belt
18	WD-113-3	2		BOLT - 1/4" - 20 x 3/4"
19	WD-195-102	2		WASHER - 1/4"
20	WD-131-934	2		NUT - 1/4" - 20 flange lock
21	WD-111-203	2		BOLT - 5/16" - 20 x 1" carriage
22	WD-195-103	2		WASHER - 3/8"
23	WD-192-20	2		LOCKWASHER - 5/16"
24	WD-129-102	2		NUT - 5/16" - 18
25	WD-131-71	6		NUT - nylock 1/4" - 20
26	WD-114-0014	1		BRACKET - "L", brake linkage
27	WD-113-4	2		BOLT - 1/4" - 20 x 1"
28	WD-900-5824	2		CABLE - clutch, brake
29	WD-111-0014	1		COLLAR - caliper rod
30	WD-111-0007	1		ROD - caliper
31	WD-900-6175	1		PIN - cotter - 3/32" x 1"
32	WD-C38963	2		PULLEY - 1-1/2" O.D.
33	WD-900-5722	1		SPRING - caliper rod
34	WD-192-21	1	S	LOCKWASHER - 3/8"
35	WD-129-103	2	S	NUT - 3/8" - 16
36	WD-C44329	1		TUBE - drive idler
37	WD-C15672	1	/P	PULLEY - idler 2-1/4" O.D.
38	WD-131-938	3		NUT - 3/8" - 16 flange lock
39	WD-900-5580	1		SPRING - belt tightener
40	WD-113-110	2		BOLT - 5/16" - 18 x 2-1/4"
41	WD-C45146	2		SPACER
42	WD-113-209	2		BOLT - 3/8" - 16 x 1-1/2"
43	WD-129-175	2		NUT - 3/8" - 16 L.H. threads
44	WD-195-2029	2		WASHER



135-013-190 FR-180 (1995)
Seat Lid & Steering

Page 59 of 63

Ref #	Part Number	Qty	S/P/F	Description
1	WD-C44237	1		LID - seat
2	WD-201-0010	1		BRACKET - lever lock
3	WD-200-0012	1		LATCH - lever lock
4	WD-C42895	2	/P	BUSHING
5	WD-200-0010	4		BEARING - block
6	WD-C44915	2		LEVER - steering
7	WD-C44481	1		LATCH - seat lid
9	WD-C42896	4		BRACKET - steering cable end
10	WD-C32455	1		RETAINER - harness, seat lid
11	WD-900-2001	1		SWITCH - seat
12	WD-C43202	1		SEAT
14	WD-900-5523	4		SPACER - seat
15	WD-900-5700	1		SPRING - latch, seat lid
16	WD-900-5501	1		SPRING - bracket, lever lock
17	WD-900-2029	1	S	SWITCH - safety
18	WD-900-5500	2	S	GRIP - handle
19	WD-C42894	2		CABLE - steering (See "Steering Cable Kit" illustration and parts list.)
20	WD-900-5503	UAR	S	CLAMP - steering cable
21	WD-200-0008	1		PROP - seat lid
24	WD-900-6152	4		WASHER - 5/16"
25	WD-131-69	4		NUT - 5/16"
26	WD-113-4	2		BOLT - 1/4" - 20 x 1"
27	WD-195-102	5		WASHER - 1/4"
28	WD-131-71	3		NUT - 1/4" - 20 lock
29	WD-113-103	2		BOLT - 5/16" - 18 x 1"
30	WD-182-528	1		SCREW - #10 - 32 x 1/2"
31	WD-900-6150	5		NUT - #10 - 32
32	WD-111-114	8		BOLT - 1/4" - 20 x 1-1/2" carriage
33	WD-195-102	10		WASHER - 1/4"
34	WD-131-71	11		NUT - 1/4" - 20 lock
35	WD-113-3	2		BOLT - 1/4" - 20 x 3/4"
36	WD-C42359	1		BOLT 1/4" - 20 x 2"
37	WD-113-3	2		BOLT - 1/4" - 20 x 3/4"
38	WD-192-19	2		LOCKWASHER - 1/4"
39	WD-182-525	1		SCREW - #10 - 32 x 3/8"
40	WD-192-18	1		LOCKWASHER - 3/16"
41	WD-C43137	2		SPRING - seat
42	WD-C43438	4		KNOB - seat
43	WD-111-204	4		BOLT - carriage 5/16" - 18 x 1-1/4"
44	WD-192-20	8		LOCKWASHER - 5/16"
45	WD-113-103	4		BOLT - 5/16" - 18 x 1"
46	WD-131-1102	8		NUT - 1/4" - 20
47	~NSS	1		KIT - arm rest (Optional) (order as complete goods)
48	WD-C44498	1		SPACER
49	WD-900-5829	UAR		GROMMET - 1/2" x 1"
	WD-C25165	UAR		GROMMET - 1" x 1-3/4"
	WD-C22947	1		TIE - nylon



135-013-190 FR-180 (1995)
Single Tail Wheel

Page 61 of 63

Ref #	Part Number	Qty	S/P/F	Description
1	WD-230-0017	1		AXLE - wheel
2	WD-900-4017	1	S	WHEEL ASSEMBLY - tail
	WD-900-3515	2	S	BEARING - wheel
	WD-900-4018	8		TIRE - 15 x 6.50 - 8
	WD-900-4019	1	S	RIM - 8" w/bearing
3	WD-230-0001	1	S	FORK - tail wheel
4	WD-900-5510	1		COLLAR - set 1"
5	WD-213-0003	1		SPACER - tail wheel fork
6	WD-113-452	1		BOLT - 1/2" - 13 x 9-1/2"
7	WD-85-58	1		SCREW -set 5/16" - 18 x 1/2" square head
8	WD-192-23	1		LOCKWASHER - 1/2"
9	WD-129-105	1	S	NUT - 1/2" - 13
10	WD-900-3501	2	S	BEARING - ball 1"
	WD-219-92	1		FITTING - grease 90° 1/4" - 28 self tap (caster pivot)

135-013-190 FR-180 (1995)
Steering Cable Kit

Page 63 of 63

Ref #	Part Number	Qty	S/P/F	Description
	WD-C43293	1	/P	STEERING CABLE KIT
1	WD-900-5819	2	S	CABLE - steering 46"
2	WD-900-6150	8		NUT - #10 - 32
3	WD-C42895	8	/P	BUSHING - steering cable
4	WD-111-111	4		BOLT - 1/4" - 20 x 1" carriage
5	WD-195-102	10		WASHER - 1/4"
6	WD-131-71	6		NUT - 1/4" - 20
7	WD-113-4	2		BOLT - 1/4" - 20 x 1"
8	WD-C42896	4		BRACKET - steering cable end
9	WD-C42897	2		LINK - control cable
10	WD-C42898	2		BELLCRANK
11	WD-C16714	1		BUSHING
12	WD-C42901	2		BRACKET - bellcrank mounting
13	WD-C16745	2		BOLT - shoulder
14	WD-195-533	2		WASHER - 1/2"
15	WD-131-1352	2		NUT - 3/8" - 16 flange lock
16	WD-113-103	4		BOLT - 5/16" - 18 x 1"
17	WD-131-911	4	S	NUT - 5/16" - 18
18	WD-113-4	2		BOLT - 1/4" - 20 x 1"
19	WD-195-102	4		WASHER - 1/4"
20	WD-C42903	2		PLATE - cable mounting
21	WD-131-71	2		NUT - 1/4" - 20 lock
22	WD-C42902	2		BRACKET - cable mounting
23	WD-C42904	2		ARM - transmission
24	WD-C34173	2		PIN - spring